

**SUREGRIP DIGI-PULL**  
MIG/MAG SERIES



**Welding Tools for the Professional**

## A Smart Approach

Parker Torchology is shaped by people with vision, a passion for improvement and a belief in delivering the very best Welding and Cutting Torch Range in the World.

We expect a great deal from our products, so we ask a lot of ourselves and our engineers.

Our mantra: **Innovation, Technology, Performance.**



## DNA

Design and Engineering excellence are at the core of everything we do.

Every torch we build is driven by our relentless pursuit of perfection.

## Premium Features

At Parker Torchology we do things differently, we strive to solve your problems with the perfect product to suit your needs. We create smart product features encased in cutting-edge design to ensure you always have the best tools to hand.





## Production

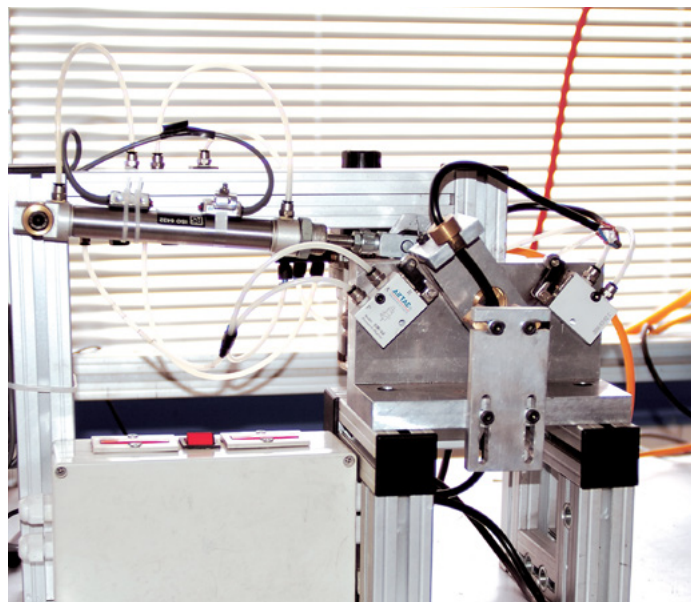
A fusion of precision production engineering, our bespoke processing techniques and a fanatical attention to detail ensures every welding torch we produce is worthy of the Parker Torchology name.

## Testing, Testing, Testing

It takes patience to develop a new product, it's a lot more than a great idea.

Product development is an iterative process, trying something over and over, changing one small variable at a time.

We build endless prototypes and test pieces that undergo months of rigorous testing. Only once a product has passed up to 88 different test procedures, with every single part tested separately do we consider our latest designs ready for market.

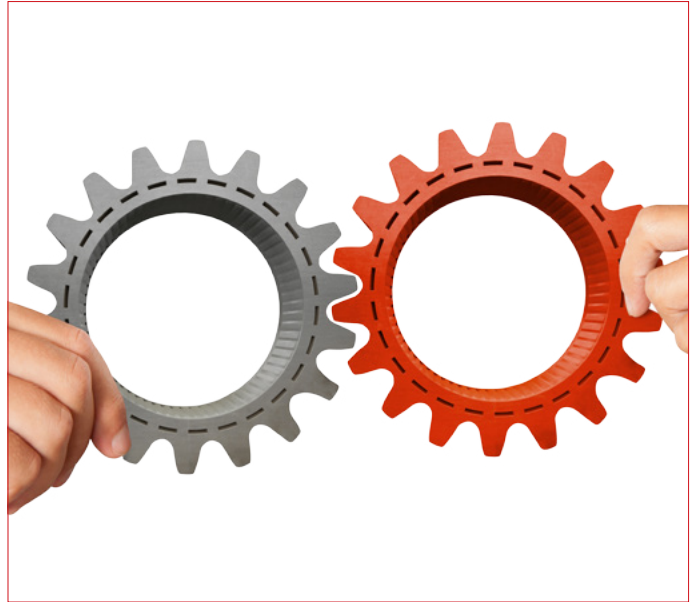




## Partners

Our customers and business partners play a vital role in our development. With the core aim to strive together, we work with end users, distributors and academic institutions alike.

As a result we share fundamental values in order to succeed in our respective market places, supporting economic growth and collaborative opportunities with others.



## A Bright Future

Technology doesn't stand still, which is why we are constantly innovating to bring you the best products on the market.

Our strong vision and focused innovation strategy, not to mention our passion to revolutionize the industry, ensure that Parker Torchology is a byword for excellence.

**We Talk Torches**

## Contents

	Suregrip Digi-Pull Mig/Mag Torch Range Features Focus	6
	Suregrip Digi-Pull Mig/Mag Torch Range Overview and Ratings	10
	<b>Digi-Pull Mig Specification Information</b>	
	Torch Package Configurator	11
	<hr/>	
	<b>Torch Range</b>	
<b>Air-Cooled</b>	<b>Suregrip Digi-Pull Mig/Mag DMBP 250A</b>	12
	<b>Suregrip Digi-Pull Mig/Mag DMBP 360A</b>	14
	<hr/>	
<b>Liquid-Cooled</b>	<b>Suregrip Digi-Pull Mig/Mag DMBP 240W</b>	16
	<b>Suregrip Digi-Pull Mig/Mag DMBP 401W</b>	18
	<hr/>	
	<b>Wear Parts</b>	
	Nozzles	20
	Contact Tips	21
	Tip Adaptors	22
	Diffusers	23
	Liners	24
	<hr/>	
	<b>Rear-End Spare Parts</b>	26

# Suregrip Digi-Pull Mig/Mag Gun Range

## Air-Cooled Features Focus

**Air-Cooled**

A motorized on torch feed system for long distances and precise control of soft wires. Incorporates high-tech control of all welding parameters by digitally interfacing with all machine control features directly from the handle.

## Preset Programmes and Infinite Control of Welding Parameters



100% Binzel® Wear Parts Compatibility Guaranteed

### Quality Wear Parts

All wear parts are manufactured to the same specification as the original manufacturer ensuring reliability, longevity and superior performance

- The same wear parts are utilized as the standard BZL range minimizing stock handling
- Contact tips are manufactured using high quality copper alloys

### Ergonomics – For Comfort and Handleability

Every detail has been considered to ensure the welder has the very best handling

- Large surface area soft grips for improved balance and positionability
- The addition of a knuckle joint enables small movements of the handle and neck independently of the cable assembly
- Cable supports are designed to combine flexibility with smooth and consistent wire feed



### Superior Visibility

Functionality and ease of access

- Quick and easy referencing of all moving parts
- Flip up cover enables rapid access for wire changes minimizing downtime

## Features Focus

### Welding Tools for the Professional



#### Control Systems

Control of the welding machine parameters by digitally interfacing with all machine control features from the torch handle

- Control modules are turned on to initiate control functionality and turned off after use
- Infinite adjustability of parameters from the handle and saved if required
- LED display of all parameters

#### Ease of Maintenance

Functionality and ease of repair

- Screwless design solutions and Euro housing sets ensure minimum downtime and productivity – No tools required!
- Euro bodies utilize the industry standard (thanks to us!) spring pins
- Optional rear-end terminations ensure worldwide compatibility



### The Smart Way To Buy Welding and Cutting Tools



# Suregrip Digi-Pull Mig/Mag Gun Range

## Liquid-Cooled Features Focus

# Liquid-Cooled

A motorized on torch feed system for long distances and precise control of soft wires. Incorporates high-tech control of all welding parameters by digitally interfacing with all machine control features directly from the handle.

## Preset Programmes and Infinite Control of Welding Parameters



100% Binzel® Wear Parts Compatibility Guaranteed

### Premium Performance Wear Parts

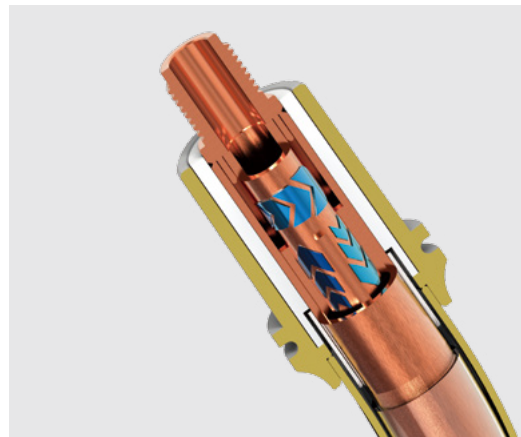
All front-end wear parts are manufactured to improve current transfer and increase component longevity and ensure superior performance

- Contact tips are manufactured from premium grade copper alloys; we don't sacrifice performance by using low end or recycled raw materials
- Optional high conductivity tip adaptors and heavy duty diffusers are available

### Swan Necks

Engineered For Extended Service Life

- Chrome plated nozzle seat provides extra durability
- Tip adaptor seats produced from a special grade copper alloy for increased service life



### Superior Visibility

Functionality and ease of access

- Quick and easy referencing of all moving parts
- Flip up cover enables rapid access for wire changes minimizing downtime



## Features Focus

### Welding Tools for the Professional



#### Control Systems

Control of the welding machine parameters by digitally interfacing with all machine control features from the torch handle

- Control modules are turned on to initiate control functionality and turned off after use
- Infinite adjustability of parameters from the handle and saved if required
- LED display of all parameters

#### Superior Flexibility and Durability

Hydroflex cable systems

- Cable set materials enhanced to increase service life
- High grade outer liner material prolongs flex life, over 1 million flexes in tests
- The copper conductor is coated to prevent premature corrosion from poor quality water and coolant additives



### The Smart Way To Buy Welding and Cutting Tools



## Suregrip Digi-Pull Mig/Mag Torch Range

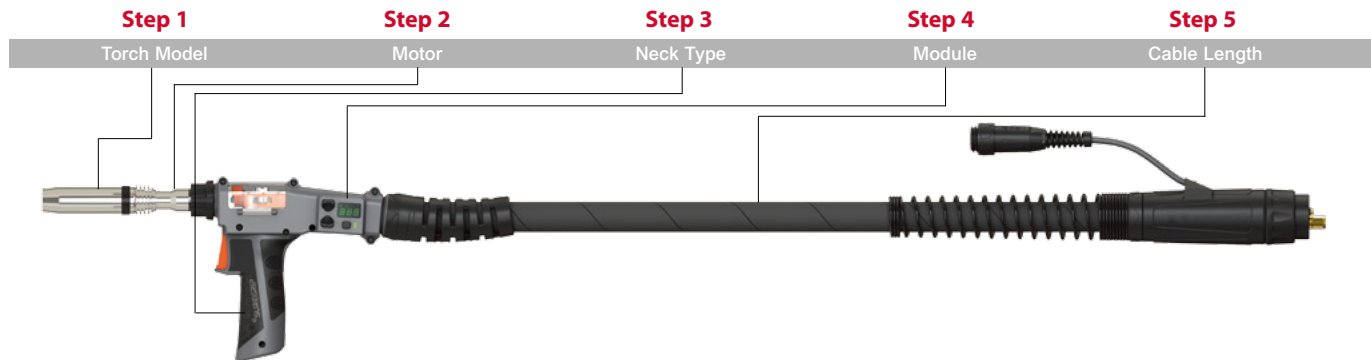
Ratings: 200 Amp to 350 Amp, Mixed Gas



Model	DMBP 250A	DMBP 360A	DMBP 240W	DMBP 401W
<b>Technical Data</b>				
Cooling Method	Air-Cooled	Air-Cooled	Liquid-Cooled	Liquid-Cooled
Rating: CO <sub>2</sub>	230A	300A	270A	400A
Rating: Mixed Gas	200A	270A	240A	350A
Duty Cycle	60%	60%	100%	100%
Wire Size	0.8-1.2	0.8-1.2	0.8-1.2	1.0-1.6
Motor Voltage	24V and 42V	24V and 42V	24V and 42V	24V and 42V
Motor Life	3000Hours	3000Hours	3000Hours	3000Hours
Minimum Water Flow	-	-	1.2 l/min	1.2 l/min
Minimum Water Inlet Pressure	-	-	2.0Bar	2.0Bar
Minimum Cooling Requirements	-	-	1100W	1600W
Maximum Water Inlet Pressure	-	-	5.0Bar	5.0Bar
Maximum Water Inlet Temperature	-	-	50°C	50°C

# Suregrip Digi-Pull Mig/Mag Torch Range

## Torch Package Configurator



## Ordering Information

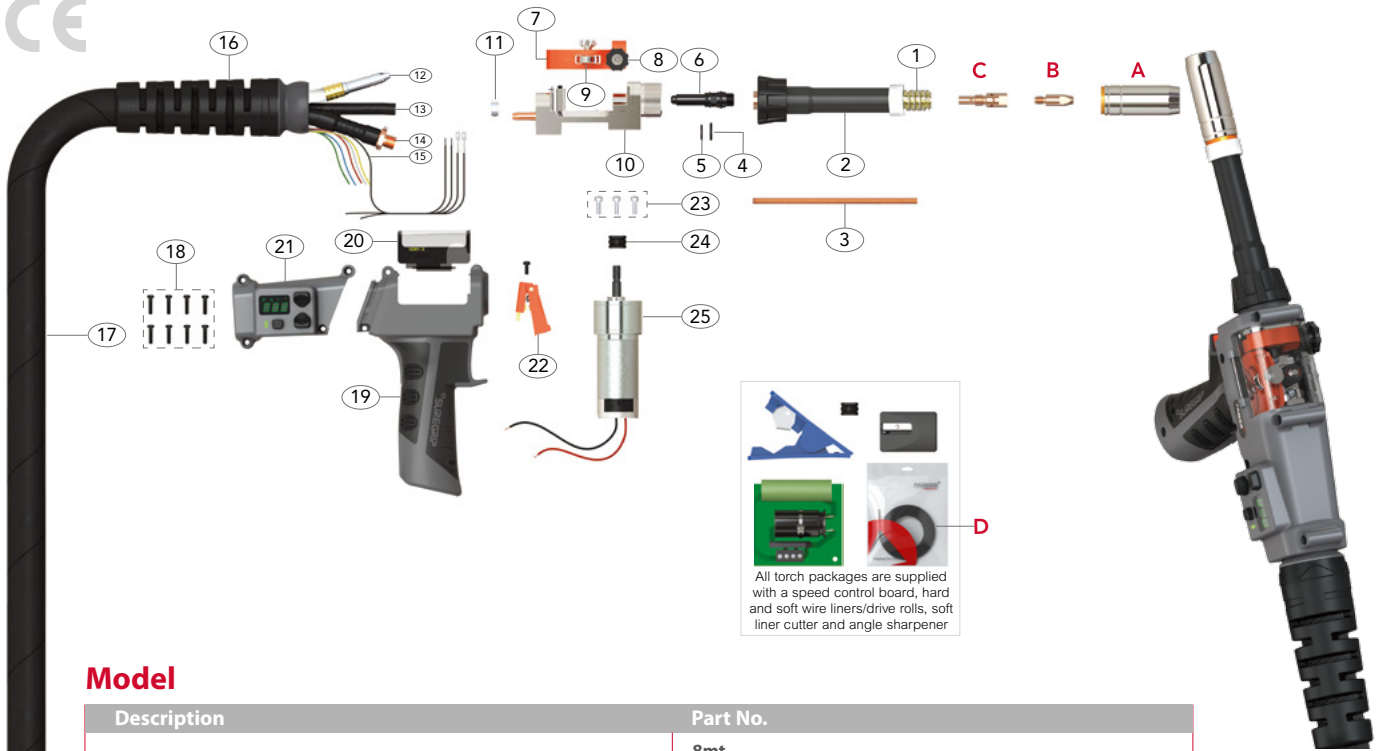
Torch package part numbering is configured using the simple 5 stage system outlined below:

1. Select the correct model of torch
2. Select the motor voltage required
3. Select the torch neck type
4. Select the control module required
5. Select the cable length required

### Example: DMBP3600-24-A180-DM3-80ER

Suregrip Digi-Pull 360A Air-Cooled Torch Package c/w 24V Motor, Straight Neck

Step 1 Torch Model		Step 2 Motor		Step 3 Neck Type		Step 4 Module		Step 5 Cable Length	
Part No.	Description	Part No.	Description	Part No.	Description	Part No.	Description	Part No.	Description
DMBP2500	DMBP250 Air-Cooled Package	24	Motor 24V DC			DM3	Digi Mig Control Module		
DMBP3600	DMBP360 Air-Cooled Package	42	Motor 42V DC						
DMBP240W	DMBP240 Liquid-Cooled Package								
DMBP4001	DMBP401 Liquid-Cooled Package								
		A45	Air-Cooled Swan Neck Assembly 45°			80ER	Cable Assembly x 8mt		
		A180	Air-Cooled Straight Neck Assembly						
		W45	Liquid-Cooled Swan Neck Assembly 45°						
		W180	Liquid-Cooled Straight Neck Assembly						



**Model**

Description	Part No.
	<b>8mt</b>
<b>Suregrip 42V Digi-Pull Mig Package Neck x 8mt</b>	<b>DMBP2500-42-A180-DM3-80ER</b>
	Torch packages can be fitted with an optional wire speed control Potentiometer

Alternative torch packages can be configured using the configurator on page 11

**Wear Parts**

**A Nozzles**

Part No.	Description	Bore	Wall	Material
PB2507	Cylindrical Nozzle	18.0	1.5mm	Cu
*PB2508	Conical Nozzle	15.0	1.5mm	Cu
PB2509	Tapered Nozzle	12.0	1.5mm	Cu
PB2510	Bottle Nozzle	14.5	1.5mm	Cu
PB2511	Spot Welding Nozzle	18.0	1.5mm	Cu

**B Contact Tips**

Part No.	Description	Material	Wire Size
			mm    Inch
PB2504-08	Contact Tip	Cu	0.8    0.030
PB2504-09	Contact Tip	Cu	0.9    0.035
PB2504-10	Contact Tip	Cu	1.0    0.040
PB2504-12	Contact Tip	Cu	1.2    0.045
PB2504-10A	Contact Tip	Cu	1.0    0.040
*PB2504-12A	Contact Tip	Cu	1.2    0.045
PB2505-08	Contact Tip	CuCrZr	0.8    0.030
PB2505-09	Contact Tip	CuCrZr	0.9    0.035
PB2505-10	Contact Tip	CuCrZr	1.0    0.040
PB2505-12	Contact Tip	CuCrZr	1.2    0.045
PB2505-10A	Contact Tip	CuCrZr	1.0    0.040
PB2505-12A	Contact Tip	CuCrZr	1.2    0.045

**C Tip Adaptors**

Part No.	Description	Material
*PB2506	Tip Adaptor	Brass
PB2536	Tip Adaptor M8	Brass

**D Liner**

Part No.	Description	Length	Wire Size
			mm
*PB2564-80	Polyamide Liner x 8mt	8.6mt	1.0-1.2

**Cable Parts**

Description	Part No.
	<b>8mt</b>
12 Outer Liner Assembly	PGP3608-80
13 Gas Hose Assembly	PGP36413-80
14 Power Cable Assembly	PGP36015-80
15 Switch Lead Assembly	PGP36410-80

\*Denotes torch package standard wear part set-up  
For more information please refer to the following sections:  
• Master Wear Parts Table    Page 20-25  
• Rear-End / Cable Parts    Page 26



# DMBP 250A Suregrip Digi-Pull Mig/Mag Torch Range

Rating: 230A CO<sub>2</sub>, 200A mixed gas, EN60974-7 @ 60% duty cycle. 0.8 to 1.2mm wires

Air-Cooled Mig Welding Torch



## Spare Parts

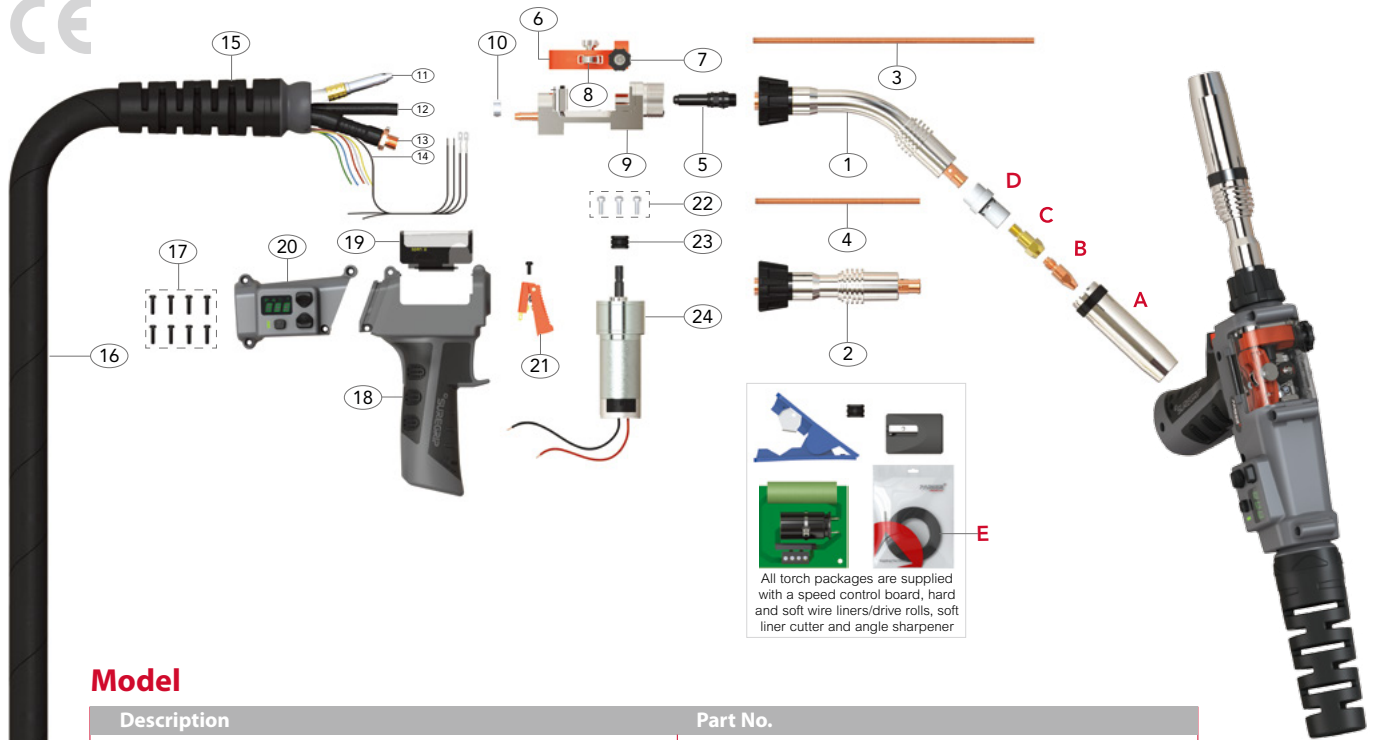
Part No.	Description
1	PB2502 Shroud Spring
2	PSP2501 Straight Neck Assembly
3	PGP3602A Jump Liner
4	9×1.5 "O" ring
5	7×1.5 "O" ring
6	PGP36006 Jump Liner Nipple
7	PGP36402 Pressure Arm Assembly
8	PGP36402B Tension Knob
9	PGP36402R Pressure Roll
10	PGP36001 Motor Body
11	PB5041 Water Hose Clamp 8.7mm
16	PGP3208 Handle Cable Support
17	PGP36419-80 Canvas Cover Assembly
18	PKA3X20 Handle Screw Pack
19	PGP2515/KJ Digi Push Pull Handle

Part No.	Description
20	PGP2514/C Push Pull Handle Cover
21	PGP2515DM3 Digi Push Pull Handle / Control Module
22	PGP2516 Trigger
23	PGPMS1 Motor Screw Pack
24	SGP8224W-08 Drive Roll For Steel Wire $\phi$ 0.8
	SGP8224W-09 Drive Roll For Steel Wire $\phi$ 0.9
	SGP8224W-10 Drive Roll For Steel Wire $\phi$ 1.0
	SGP8224W-12 Drive Roll For Steel Wire $\phi$ 1.2
	SGP8224W-16 Drive Roll For Steel Wire $\phi$ 1.6
	SGP8224W-08U Drive Roll For Aluminium Wire $\phi$ 0.8
	SGP8224W-09U Drive Roll For Aluminium Wire $\phi$ 0.9
	SGP8224W-10U Drive Roll For Aluminium Wire $\phi$ 1.0
	*SGP8224W-12U Drive Roll For Aluminium Wire $\phi$ 1.2
	SGP8224W-16U Drive Roll For Aluminium Wire $\phi$ 1.6
25	SGP8224-24 Motor 24V DC
	SGP8224-42 Motor 42V DC

## DMBP 360A Suregrip Digi-Pull Mig/Mag Torch Range

Rating: 300A CO<sub>2</sub>, 270A mixed gas, EN60974-7 @ 60% duty cycle. 0.8 to 1.2mm wires

Air-Cooled Mig Welding Torch



### Model

Description	Part No.
	<b>8mt</b>
Suregrip 42V Digi-Pull Mig Torch Package 45° Neck x 8mt	<b>DMBP3600-42-A45-DM3-80ER</b>
Suregrip 42V Digi-Pull Mig Torch Package Straight Neck x 8mt	<b>DMBP3600-42-A180-DM3-80ER</b>
Torch packages can be fitted with an optional wire speed control Potentiometer	

Alternative torch packages can be configured using the configurator on page 11

### Wear Parts

#### A Nozzles

Part No.	Description	Bore	Wall	Material
PB3615	Cylindrical Nozzle	19.0	2.25mm	Cu
*PB3616	Conical Nozzle	16.1	2.25mm	Cu
PB3617	Tapered Nozzle	12.0	2.25mm	Cu

#### B Contact Tips

Part No.	Description	Material	Wire Size	Wire Size
			mm	Inch
PB2504-08	Contact Tip	Cu	0.8	0.030
PB2504-10	Contact Tip	Cu	1.0	0.040
PB2504-12	Contact Tip	Cu	1.2	0.045
PB2504-10A	Contact Tip	Cu	1.0	0.040
PB4014-08	Contact Tip	Cu	0.8	0.030
PB4014-10	Contact Tip	Cu	1.0	0.040
PB4014-12	Contact Tip	Cu	1.2	0.045
*PB4014-12A	Contact Tip	Cu	1.2	0.045

#### C Tip Adaptors

Part No.	Description	Material
PB3612	Tip Adaptor	Brass
PB3613	Tip Adaptor	Brass
*PB3614	Tip Adaptor	Brass

#### D Diffusers

Part No.	Description	Colour	Material
PB3605B	Diffuser	Black	DMC3
*PB3605C	Diffuser	White	Ceramic
PB3605W	Diffuser	White	DMC3

#### E Liner

Part No.	Description	Length	Wire Size
			mm
*PB2564-80	Polyamide Liner x 8mt	8.6mt	1.0-1.2

### Cable Parts

Description	Part No.
	<b>8mt</b>
11 Outer Liner Assembly	PGP3608-80
12 Gas Hose Assembly	PGP36413-80
13 Power Cable Assembly	PGP36015-80
14 Switch Lead Assembly	PGP36410-80

\*Denotes torch package standard wear part set-up  
For more information please refer to the following sections:  
•Master Wear Parts Table Page 20-25  
•Rear-End / Cable Parts Page 26

# DMBP 360A Suregrip Digi-Pull Mig/Mag Torch Range

Rating: 300A CO<sub>2</sub>, 270A mixed gas, EN60974-7 @ 60% duty cycle. 0.8 to 1.2mm wires

Air-Cooled Mig Welding Torch

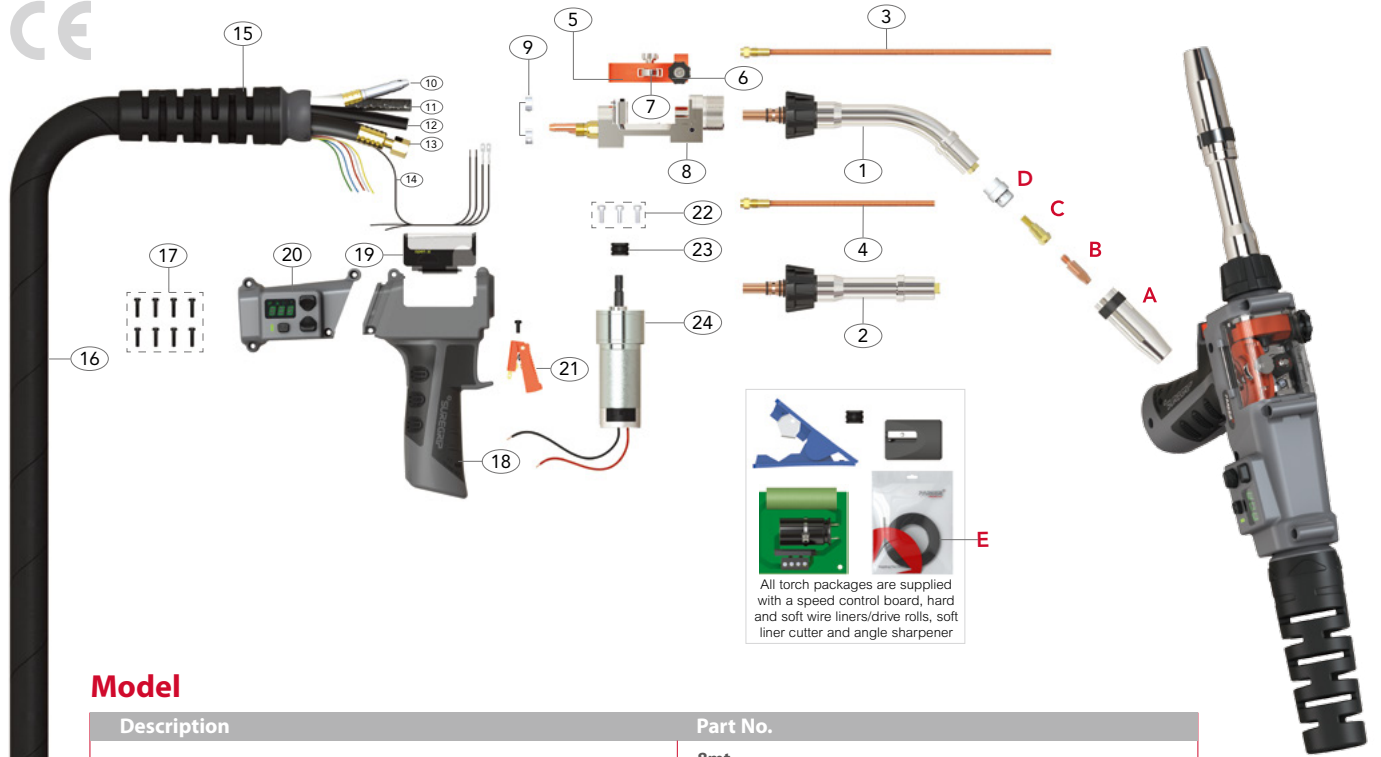


## Spare Parts

Part No.	Description
1	SGP3603 Swan Neck Assembly 45°
2	SGP3603A Straight Neck Assembly
3	PGP3602A Jump Liner
4	PGP3602 Jump Liner
5	PGP36006 Jump Liner Nipple
6	PGP36402 Pressure Arm Assembly
7	PGP36402B Tension Knob
8	PGP36402R Pressure Roll
9	PGP36001 Motor Body
10	PB5041 Water Hose Clamp 8.7mm
15	PGP3208 Handle Cable Support
16	PGP36419-80 Canvas Cover Assembly
17	PKA3X20 Handle Screw Pack
18	PGP2515/KJ Logi Push Pull Handle
19	PGP2514/C Push Pull Handle Cover

Part No.	Description
20	PGP2515DM3 Digi Push Pull Handle / Control Module
21	PGP2516 Trigger
22	PGPMS1 Motor Screw Pack
23	SGP8224W-08 Drive Roll For Steel Wire $\phi$ 0.8
	SGP8224W-09 Drive Roll For Steel Wire $\phi$ 0.9
	SGP8224W-10 Drive Roll For Steel Wire $\phi$ 1.0
	SGP8224W-12 Drive Roll For Steel Wire $\phi$ 1.2
	SGP8224W-16 Drive Roll For Steel Wire $\phi$ 1.6
	SGP8224W-08U Drive Roll For Aluminium Wire $\phi$ 0.8
	SGP8224W-09U Drive Roll For Aluminium Wire $\phi$ 0.9
	SGP8224W-10U Drive Roll For Aluminium Wire $\phi$ 1.0
	*SGP8224W-12U Drive Roll For Aluminium Wire $\phi$ 1.2
	SGP8224W-16U Drive Roll For Aluminium Wire $\phi$ 1.6
24	SGP8224-24 Motor 24V DC
	SGP8224-42 Motor 42V DC

\*Note: Rating: 270A CO<sub>2</sub>, 250A mixed gas @60% duty cycle when using SG3603A neck



**Model**

Description	Part No.
	<b>8mt</b>
Suregrip 42V Digi-Pull Mig Torch Package 45° Neck x 8mt	LMBP2500-42-A180-DM3-80ER
Suregrip 42V Digi-Pull Mig Torch Package Straight Neck x 8mt	DMBP2400W-42-W180-DM3--80ER
	Torch packages can be fitted with an optional wire speed control Potentiometer

Alternative torch packages can be configured using the configurator on page 11

**Wear Parts**

**A Nozzles**

Part No.	Description	Bore	Wall	Material
PB2415	Cylindrical Nozzle	17.2	1.40mm	Cu
*PB2416	Conical Nozzle	12.6	1.40mm	Cu
PB2417	Tapered Nozzle	10.0	1.40mm	Cu

**B Contact Tips**

Part No.	Description	Material	Wire Size
			mm    Inch
PB2504-08	Contact Tip	Cu	0.8    0.030
PB2504-10	Contact Tip	Cu	1.0    0.040
PB2504-12	Contact Tip	Cu	1.2    0.045
*PB2504-12A	Contact Tip	Cu	1.2    0.045

**C Tip Adaptors**

Part No.	Description	Material
*PB2412	Tip Adaptor	Brass

**D Diffusers**

Part No.	Description	Colour	Material
PB2405B	Diffuser	Black	DMC3
*PB2405C	Diffuser	White	Ceramic
PB2405W	Diffuser	White	DMC3
PB2405S	Diffuser	Red	Silicon

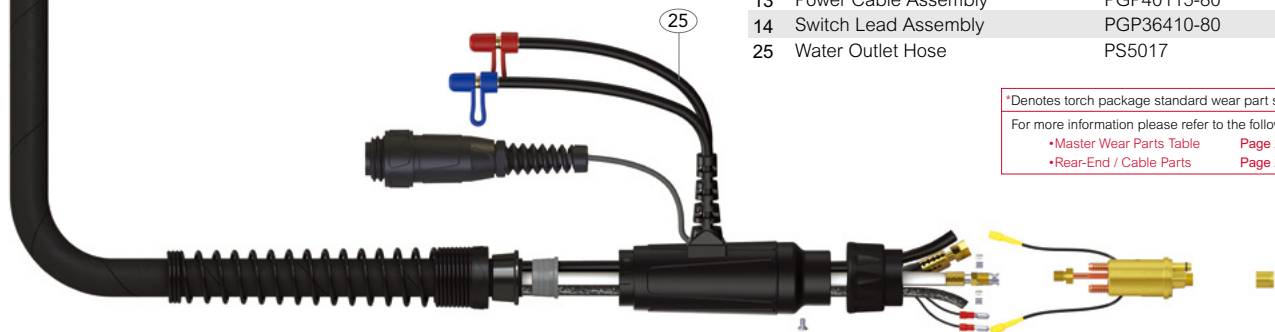
**E Liner**

Part No.	Description	Length	Wire Size
			mm
*PB2564-80	Polyamide Liner x 8mt	8.6mt	1.0-1.2

**Cable Parts**

Description	Part No.
	<b>8mt</b>
10 Outer Liner Assembly	PGP4008-80
11 Gas Hose Assembly	PGP36413-80
12 Water Inlet Hose Assembly	PGP40112-80
13 Power Cable Assembly	PGP40115-80
14 Switch Lead Assembly	PGP36410-80
25 Water Outlet Hose	PS5017

\*Denotes torch package standard wear part set-up  
For more information please refer to the following sections:  
• Master Wear Parts Table    Page 20-25  
• Rear-End / Cable Parts    Page 26





# DMBP 240W Suregrip Digi-Pull Mig/Mag Torch Range

Rating: 270A CO<sub>2</sub>, 240A mixed gas, EN60974-7 @ 100% duty cycle. 0.8 to 1.2mm wires

Liquid-Cooled Mig Welding Torch



## Spare Parts

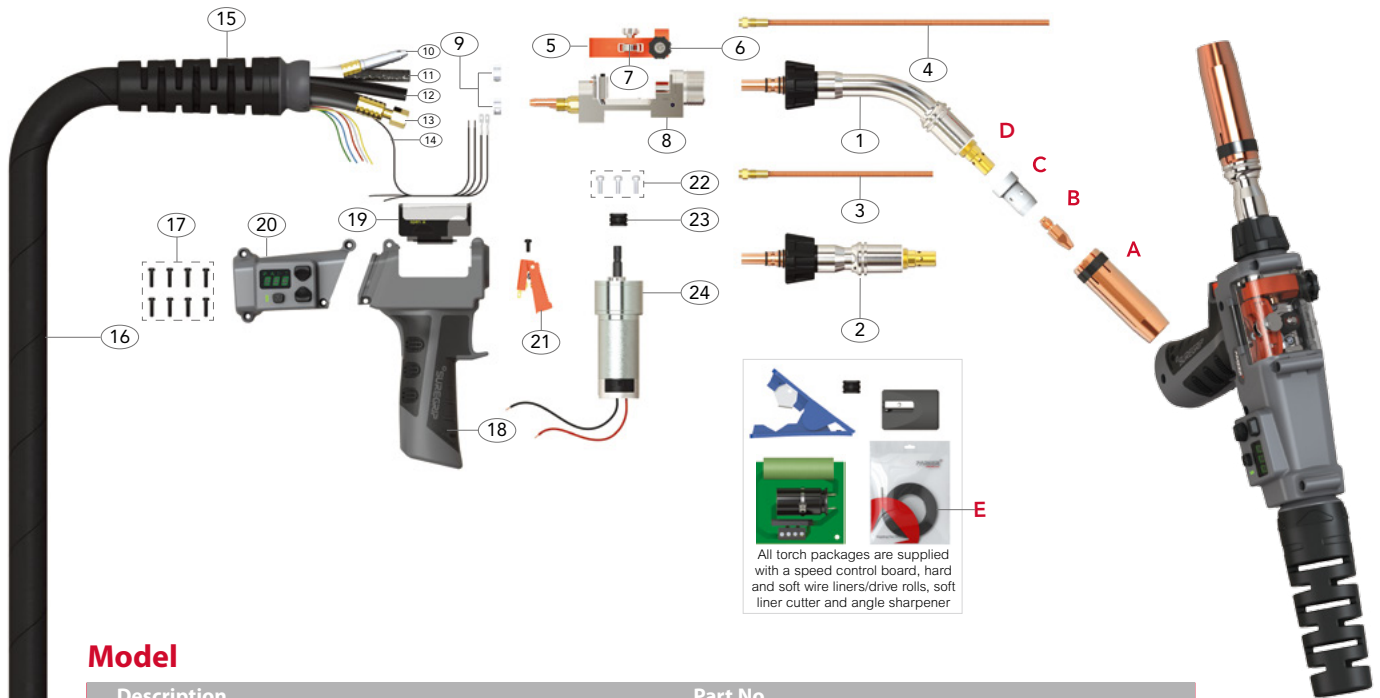
Part No.	Description
1	SGP2409 Swan Neck Assembly 45°
2	SGP2409A Straight Neck Assembly
3	PGP2402A Jump Liner c/w Nipple
4	PGP2402 Jump Liner c/w Nipple
5	PGP36402 Pressure Arm Assembly
6	PGP36402B Tension Knob
7	PGP36402R Pressure Roll
8	PGP40101 Motor Body
9	PB5041 Water Hose Clamp 8.7mm
15	PGP3208 Handle Cable Support
16	PGP36419-80 Canvas Cover Assembly
17	PKA3X20 Handle Screw Pack
18	PGP2515/KJ Digi Push Pull Handle
19	PGP2514/C Push Pull Handle Cover
20	PGP2515DM3 Digi Push Pull Handle / Control Module

Part No.	Description
21	PGP2516 Trigger
22	PGPMS1 Motor Screw Pack
23	SGP8224W-08 Drive Roll For Steel Wire 0.8
	SGP8224W-09 Drive Roll For Steel Wire 0.9
	SGP8224W-10 Drive Roll For Steel Wire 1.0
	SGP8224W-12 Drive Roll For Steel Wire 1.2
	SGP8224W-16 Drive Roll For Steel Wire 1.6
	SGP8224W-08U Drive Roll For Aluminium Wire $\phi$ 0.8
	SGP8224W-09U Drive Roll For Aluminium Wire $\phi$ 0.9
	SGP8224W-10U Drive Roll For Aluminium Wire $\phi$ 1.0
	* SGP8224W-12U Drive Roll For Aluminium Wire $\phi$ 1.2
	SGP8224W-16U Drive Roll For Aluminium Wire $\phi$ 1.6
24	SGP8224-24 Motor 24V DC
	SGP8224-42 Motor 42V DC

# DMBP 401W Suregrip Digi-Pull Mig/Mag Torch Range

Rating: 400A CO<sub>2</sub> 350A mixed gas, EN60974-7 @ 100% duty cycle. 1.0 to 1.6mm wires

Liquid-Cooled Mig Welding Torch



## Model

Description	Part No.
	<b>8mt</b>
Suregrip 42V Digi-Pull Mig Torch Package 45° Neck x 8mt	<b>DMBP4001-42-W45-DM3-80ER</b>
Suregrip 42V Digi-Pull Mig Torch Package Straight Neck x 8mt	<b>DMBP4001-42-W180-DM3-80ER</b>
Torch packages can be fitted with an optional wire speed control Potentiometer	

Alternative torch packages can be configured using the configurator on page 11

## Wear Parts

### A Nozzles

Part No.	Description	Bore	Wall	Material
PB5027	Cylindrical Nozzle	19.0	2.50mm	Cu
*PB5028	Conical Nozzle	16.0	2.50mm	Cu
PB5028HD	Conical Nozzle	16.0	3.20mm	Cu
PB5029	Tapered Nozzle	14.0	2.50mm	Cu

### B Contact Tips

Part No.	Description	Material	Wire Size	
			mm	Inch
PB4014-08	Contact Tip	Cu	0.8	0.030
PB4014-10	Contact Tip	Cu	1.0	0.040
PB4014-12	Contact Tip	Cu	1.2	0.045
*PB4014-12A	Contact Tip	Cu	1.2	0.045

### C Diffusers

Part No.	Description	Colour	Material
PB5005B	Diffuser	Black	DMC3
*PB5005C	Diffuser	White	Ceramic
PB5005W	Diffuser	White	DMC3
PB5005H	Diffuser High Performance	Black	HPP

### D Tip Adaptors

Part No.	Description	Material
*PB5001	Tip Adaptor	Brass
PB5001C-R	Tip Adaptor	CuCrZr

### E Liner

Part No.	Description	Length	Wire Size
			mm
*PB2564-80	Polyamide Liner x 8mt	8.6mt	1.0-1.2

## Cable Parts

Description	Part No.
	<b>8mt</b>
10 Outer Liner Assembly	PGP4008-80
11 Gas Hose Assembly	PGP36413-80
12 Water Inlet Hose Assembly	PGP40112-80
13 Power Cable Assembly	PGP40115-80
14 Switch Lead Assembly	PGP36410-80
25 Water Outlet Hose	PS5017

\*Denotes torch package standard wear part set-up  
For more information please refer to the following sections:  
• Master Wear Parts Table Page 20-25  
• Rear-End / Cable Parts Page 26

# DMBP 401W Suregrip Digi-Pull Mig Torch Range

Rating: 400A CO<sub>2</sub>, 350A mixed gas, EN60974-7 @ 100% duty cycle. 1.0 to 1.6mm wires

Liquid-Cooled Mig Welding Torch



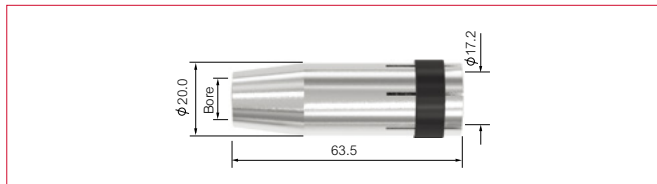
## Spare Parts

Part No.	Description
1	SGP4011 Swan Neck Assembly 45°
2	SGP4011A Straight Neck Assembly
3	PGP4002A Jump Liner c/w Nipple
4	PGP4002 Jump Liner c/w Nipple
5	PGP36402 Pressure Arm Assembly
6	PGP36402B Tension Knob
7	PGP36402R Pressure Roll
8	PGP40101 Motor Body
9	PB5041 Water Hose Clamp 8.7mm
15	PPG3208 Handle Cable Support
16	PGP36419-80 Canvas Cover Assembly
17	PKA3X20 Handle Screw Pack
18	PGP2515/KJ Logi Push Pull Handle
19	PGP2514/C Push Pull Handle Cover
20	PGP2515DM3 Digi Push Pull Handle / Control Module

Part No.	Description
21	PGP2516 Trigger
22	PGPMS1 Motor Screw Pack
23	SGP8224W-08 Drive Roll For Steel Wire $\phi$ 0.8
	SGP8224W-09 Drive Roll For Steel Wire $\phi$ 0.9
	SGP8224W-10 Drive Roll For Steel Wire $\phi$ 1.0
	SGP8224W-12 Drive Roll For Steel Wire $\phi$ 1.2
	SGP8224W-16 Drive Roll For Steel Wire $\phi$ 1.6
	SGP8224W-08U Drive Roll For Aluminium Wire $\phi$ 0.8
	SGP8224W-09U Drive Roll For Aluminium Wire $\phi$ 0.9
	SGP8224W-10U Drive Roll For Aluminium Wire $\phi$ 1.0
	* SGP8224W-12U Drive Roll For Aluminium Wire $\phi$ 1.2
	SGP8224W-16U Drive Roll For Aluminium Wire $\phi$ 1.6
24	SGP8224-24 Motor 24V DC
	SGP8224-42 Motor 42V DC

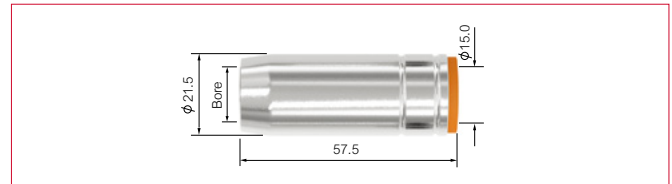
**DMBP 240W**

Part No.	Description	Bore	Wall	Material
PB2415	Cylindrical Nozzle	17.2	1.40mm	Cu
* PB2416	Conical Nozzle	12.6	1.40mm	Cu
PB2417	Tapered Nozzle	10.0	1.40mm	Cu



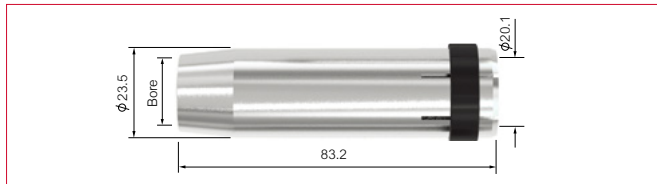
**DMBP 250A**

Part No.	Description	Bore	Wall	Material
PB2507	Cylindrical Nozzle	18.0	1.5mm	Cu
* PB2508	Conical Nozzle	15.0	1.5mm	Cu
PB2509	Tapered Nozzle	12.0	1.5mm	Cu
PB2510	Bottle Nozzle	14.5	1.5mm	Cu
PB2511	Spot Welding Nozzle	18.0	1.5mm	Cu



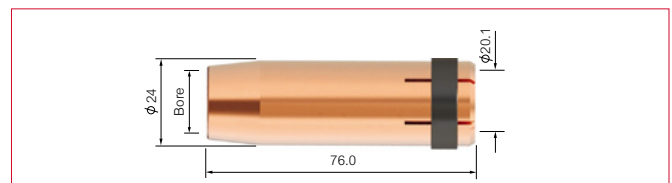
**DMBP 360A**

Part No.	Description	Bore	Wall	Material
PB3615	Cylindrical Nozzle	19.0	2.25mm	Cu
* PB3616	Conical Nozzle	16.1	2.25mm	Cu
PB3617	Tapered Nozzle	12.0	2.25mm	Cu



**DMBP 401W**

Part No.	Description	Bore	Wall	Material
PB5027	Cylindrical Nozzle	19.0	2.50mm	Cu
* PB5028	Conical Nozzle	16.0	2.50mm	Cu
PB5028HD	Conical Nozzle	16.0	3.20mm	Cu
PB5029	Tapered Nozzle	14.0	2.50mm	Cu



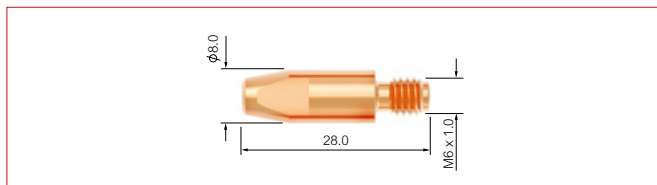
\* Denotes torch package standard wear part set-up



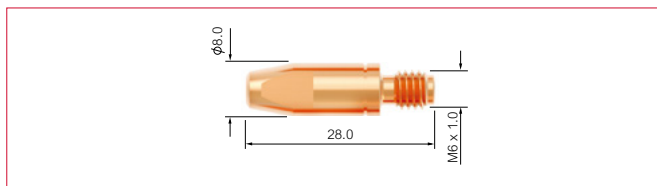
## Contact Tips

### DMBP 250A/240W

Part No.	Description	Material	Wire Size	
			mm	inch
PB2504-06	Contact Tip	Cu	0.6	0.023
PB2504-08	Contact Tip	Cu	0.8	0.030
PB2504-09	Contact Tip	Cu	0.9	0.035
PB2504-10	Contact Tip	Cu	1.0	0.040
PB2504-12	Contact Tip	Cu	1.2	0.045
PB2504-14	Contact Tip	Cu	1.4	0.055
PB2504-16	Contact Tip	Cu	1.6	0.063
PB2504-10A	Contact Tip	Cu	1.0	0.040
*PB2504-12A	Contact Tip	Cu	1.2	0.045
PB2504-16A	Contact Tip	Cu	1.6	0.063

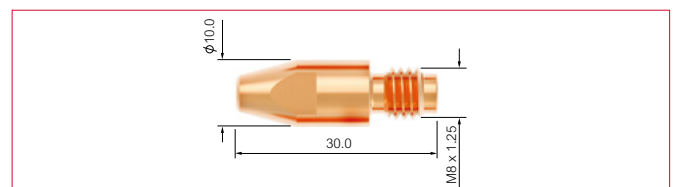


PB2505-08	Contact Tip	CuCrZr	0.8	0.030
PB2505-09	Contact Tip	CuCrZr	0.9	0.035
PB2505-10	Contact Tip	CuCrZr	1.0	0.040
PB2505-12	Contact Tip	CuCrZr	1.2	0.045
PB2505-16	Contact Tip	CuCrZr	1.6	0.063
PB2505-10A	Contact Tip	CuCrZr	1.0	0.040
PB2505-12A	Contact Tip	CuCrZr	1.2	0.045
PB2505-16A	Contact Tip	CuCrZr	1.6	0.063

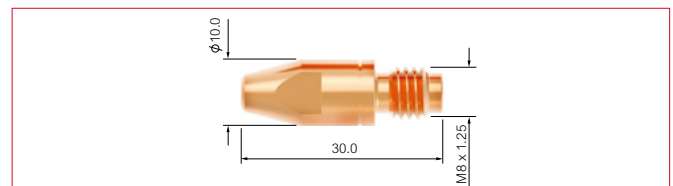


### DMBP 360A/401W

Part No.	Description	Material	Wire Size	
			mm	inch
PB4014-08	Contact Tip	Cu	0.8	0.030
PB4014-09	Contact Tip	Cu	0.9	0.035
PB4014-10	Contact Tip	Cu	1.0	0.040
PB4014-12	Contact Tip	Cu	1.2	0.045
PB4014-14	Contact Tip	Cu	1.4	0.055
PB4014-16	Contact Tip	Cu	1.6	0.063
PB4014-20	Contact Tip	Cu	2.0	0.080
PB4014-24	Contact Tip	Cu	2.4	0.095
PB4014-10A	Contact Tip	Cu	1.0	0.040
*PB4014-12A	Contact Tip	Cu	1.2	0.045
PB4014-16A	Contact Tip	Cu	1.6	0.063



PB4015-08	Contact Tip	CuCrZr	0.8	0.030
PB4015-09	Contact Tip	CuCrZr	0.9	0.035
PB4015-10	Contact Tip	CuCrZr	1.0	0.040
PB4015-12	Contact Tip	CuCrZr	1.2	0.045
PB4015-13	Contact Tip	CuCrZr	1.3	0.052
PB4015-14	Contact Tip	CuCrZr	1.4	0.055
PB4015-16	Contact Tip	CuCrZr	1.6	0.063
PB4015-20	Contact Tip	CuCrZr	2.0	0.080
PB4015-24	Contact Tip	CuCrZr	2.4	0.095
PB4015-10A	Contact Tip	CuCrZr	1.0	0.040
PB4015-12A	Contact Tip	CuCrZr	1.2	0.045
PB4015-16A	Contact Tip	CuCrZr	1.6	0.063

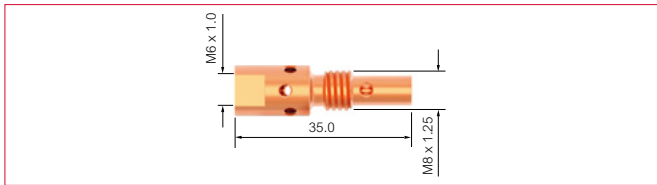


\* Denotes torch package standard wear part set-up

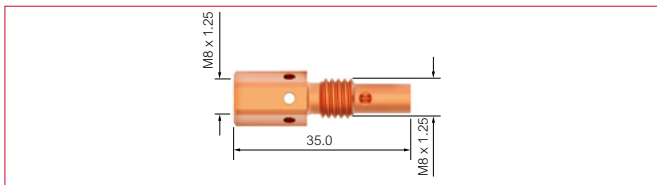
Tip Adaptors

**DMBP 250A**

Part No.	Description	Material
* PB2506	Tip Adaptor	Brass

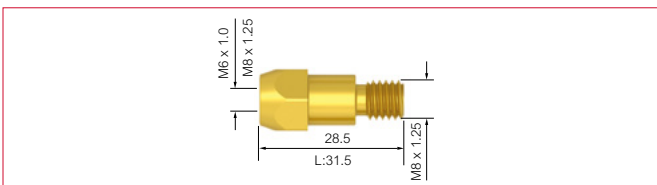


PB2536	Tip Adaptor M8	Brass
--------	----------------	-------



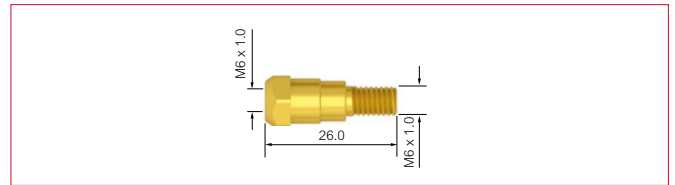
**DMBP 360A**

Part No.	Description	Material
PB3612	Tip Adaptor 28.5mm M6	Brass
PB3613	Tip Adaptor 31.5mm M6	Brass
* PB3614	Tip Adaptor 28.5mm M8	Brass



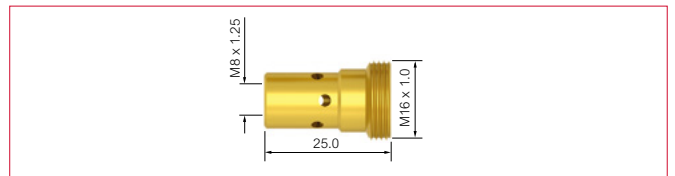
**DMBP 240W**

Part No.	Description	Material
* PB2412	Tip Adaptor	Brass

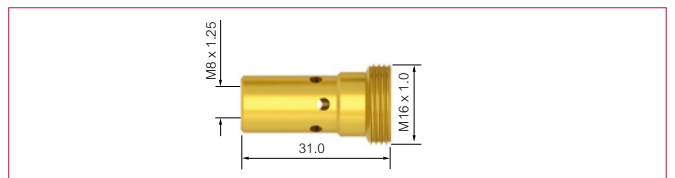


**DMBP 401W**

Part No.	Description	Material
* PB5001	Tip Adaptor	Brass
PB5001C-R	Tip Adaptor	Copper



PB5001L	Tip Adaptor	Brass
---------	-------------	-------

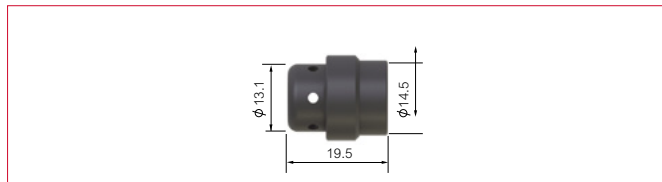


\* Denotes torch package standard wear part set-up

## Diffusers

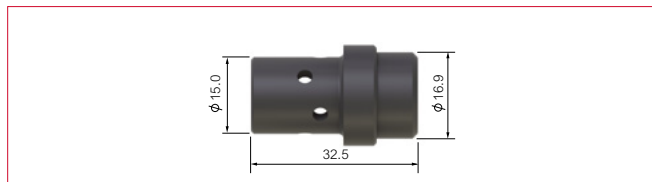
### DMBP 240W

Part No.	Description	Colour	Material
PB2405B	Diffuser	Black	DMC3
*PB2405C	Diffuser	White	Ceramic
PB2405W	Diffuser	White	DMC3
PB2405S	Diffuser	Red	Silicon



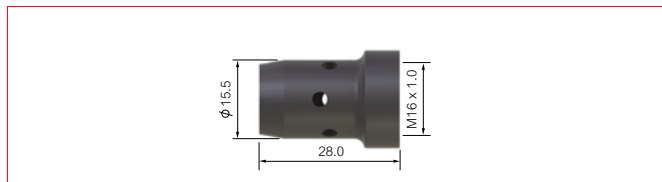
### DMBP 360A

Part No.	Description	Colour	Material
PB3605B	Diffuser	Black	DMC3
*PB3605C	Diffuser	White	Ceramic
PB3605W	Diffuser	White	DMC3
PB3605H	Diffuser High Performance	Black	HPP



### DMBP 401W

Part No.	Description	Colour	Material
PB5005B	Diffuser	Black	DMC3
*PB5005C	Diffuser	White	Ceramic
PB5005W	Diffuser	White	DMC3
PB5005H	Diffuser High Performance	Black	HPP



**Liner Options 1.0-1.6mm**

**DMBP 250A/360A/240W/401W**

Part No.	Description	Length	Nipple	Wire Size mm
PB2513-80	Teflon Liner x 8mt	8.6mt	Teflon Brass Nipple	1.0-1.2



* PB2564-80	Polyamide/Brass Liner 4.7mm O/D x 8mt	8.6mt	Brass Nipple	1.2-1.6
-------------	---------------------------------------	-------	--------------	---------



PB5033-80B	Steel Liner x 8mt	8.5mt	Brass Nipple	1.0-1.2
------------	-------------------	-------	--------------	---------



\* Denotes torch package standard wear part set-up

# Wear Parts

## Liner Options 1.2-2.0mm

### DMBP 250A/360A/240W/401W

Part No.	Description	Length	Nipple	Wire Size mm
PB3564-80	Polyamide/Brass Liner 4.7mm x 8mt	8.6mt	Brass Nipple	1.6-2.0



PB3626-80	Teflon Liner x 8mt	8.6mt	Brass Nipple	1.2-1.6
-----------	--------------------	-------	--------------	---------



* PB5034-80B	Steel Liner x 8mt	8.5mt	Brass Nipple	1.2-1.6
--------------	-------------------	-------	--------------	---------

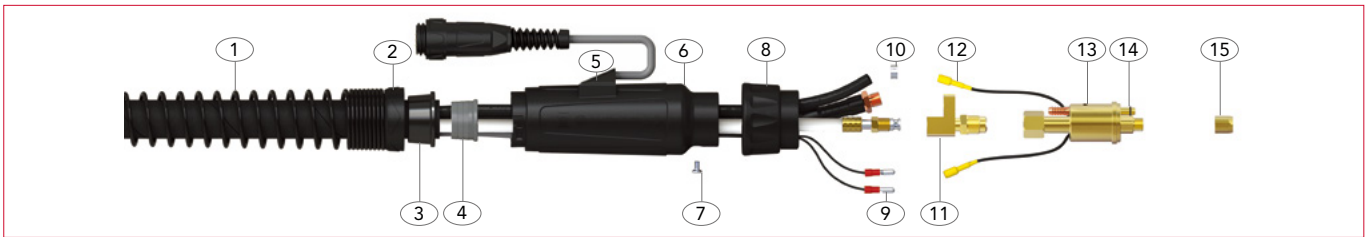


\* Denotes torch package standard wear part set up



**DMBP 250A/360A**

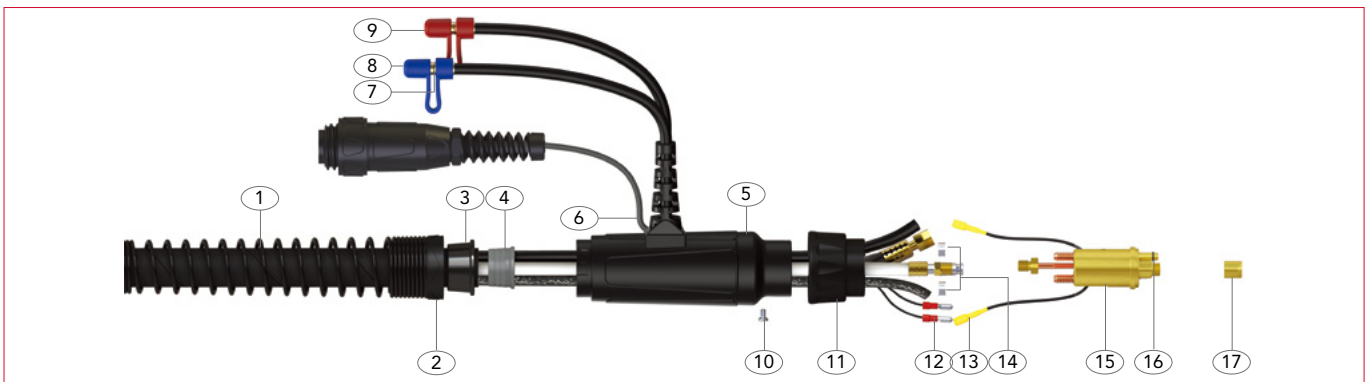
Part No.	Description	
1	PC8027	Housing Spring
2	PT8028	Spring Cable Support Nut
3	PT8009	Canvas Cover Clamp
4	PT8010	Canvas Cover Retainer
5	SC8017	Housing Insert
6	PT5022	Gun Plug Housing Assembly
7	PB1526	Gun Plug Screw
8	PB1519/S	Gun Plug Nut
9	PB1522	Cable Terminal Male
10	PB5024	Water Hose Clamp 9.5mm
11	PGP3608C	Power Fitting
12	PB1523	Gun Plug Terminal Female
13	SGP1528	A/C Gun Plug Body Assembly
14	PB1524	Gun Plug 'O' Ring
15	PB1525	Liner Nut



**Liquid-Cooled Rear-End Spare Parts**

**DMBP 240W/401W**

Part No.	Description	
1	PC8027	Housing Spring
2	PT8028	Spring Cable Support Nut
3	PT8009	Canvas Cover Clamp
4	PT8010	Canvas Cover Retainer
5	PT5022H	Gun Plug Housing Assembly
6	PSLH1820-S	Inlet/Outlet Hose Support
7	PB5023	Water Hose Nipple
8	PBD-80310	Blue Cap Stopper
9	PBD-80320	Red Cap Stopper
10	PB1526	Gun Plug Screw
11	PB1519/S	Gun Plug Nut
12	PB1522	Cable Terminal Male
13	PB1523	Gun Plug Terminal Female
14	PB5024	Water Hose Clamp 9.5mm
15	PB5098	Gun Plug Body c/w Spring Pins
16	PB1524	Gun Plug 'O' Ring
17	PB1525	Liner Nut







Jinan Export Processing Zone  
The East End of Jing Shi Dong Road  
Jinan 250102  
P.R. China

Tel: +86 531 88239823  
Fax: +86 531 88239398  
Website: [www.parkertorchology.com](http://www.parkertorchology.com)  
Email: [info@parkertorchology.com](mailto:info@parkertorchology.com)  
MPP007 / V.2019.06