

**TRG**  
MIG/MAG SERIES



**Welding Tools for the Professional**

## A Smart Approach

Parker Torchology is shaped by people with vision, a passion for improvement and a belief in delivering the very best Welding and Cutting Torch Range in the World.

We expect a great deal from our products, so we ask a lot of ourselves and our engineers.

Our mantra: **Innovation, Technology, Performance.**



## DNA

Design and Engineering excellence are at the core of everything we do.

Every torch we build is driven by our relentless pursuit of perfection.

## Premium Features

At Parker Torchology we do things differently, we strive to solve your problems with the perfect product to suit your needs. We create smart product features encased in cutting-edge design to ensure you always have the best tools to hand.





## Production

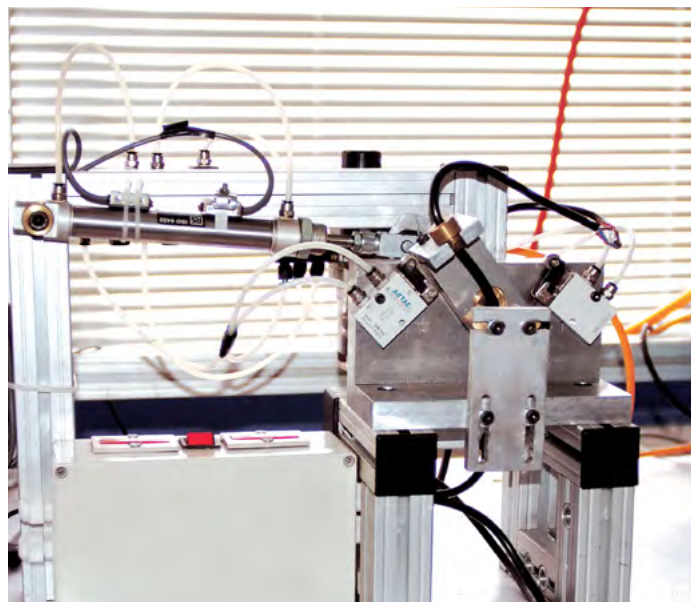
A fusion of precision production engineering, our bespoke processing techniques and a fanatical attention to detail ensures every welding torch we produce is worthy of the Parker Torchology name.

## Testing, Testing, Testing

It takes patience to develop a new product, it's a lot more than a great idea.

Product development is an iterative process, trying something over and over, changing one small variable at a time.

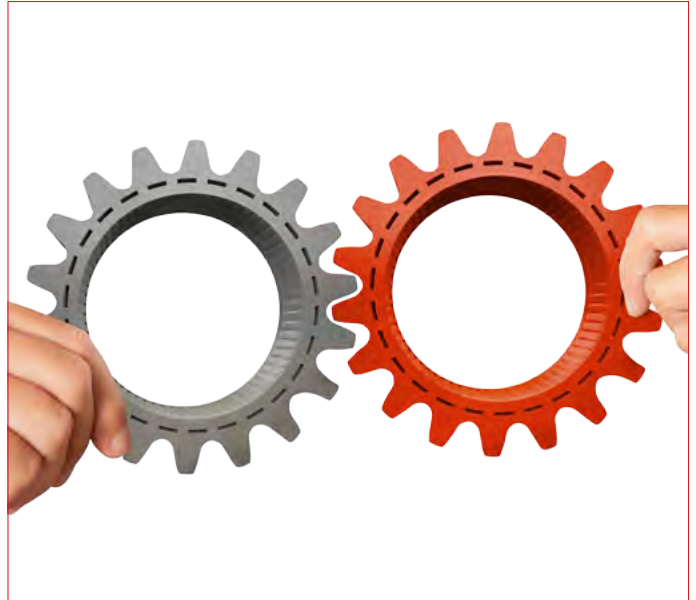
We build endless prototypes and test pieces that undergo months of rigorous testing. Only once a product has passed up to 88 different test procedures, with every single part tested separately do we consider our latest designs ready for market.



## Partners

Our customers and business partners play a vital role in our development. With the core aim to strive together, we work with end users, distributors and academic institutions alike.

As a result we share fundamental values in order to succeed in our respective market places, supporting economic growth and collaborative opportunities with others.



## A Bright Future

Technology doesn't stand still, which is why we are constantly innovating to bring you the best products on the market.

Our strong vision and focused innovation strategy, not to mention our passion to revolutionize the industry, ensure that Parker Torchology is a byword for excellence.

**We Talk Torches**

## Contents

TRG Mig/Mag Torch Range Features Focus	6
TRG Mig/Mag Torch Range Overview and Ratings	7

---

### Torch Range

#### Air-Cooled

<b>TRG TR 200A</b>	8
<b>TRG TR 300A</b>	9
<b>TRG TR 400A</b>	10
<b>TRG TR 500A</b>	11

---

### Wear Parts

Nozzles	12
Contact Tips	13
Diffuser	13
Head	13
Liners	14

---

<b>Rear-End Spare Parts</b>	15
-----------------------------	----

<b>Direct Plug Connector Kits</b>	17
-----------------------------------	----

# TRG Mig/Mag Torch Range

## Air-Cooled Features Focus

A straight handled series of torches developed to tackle the most demanding of Mig welding jobs.

**Air-Cooled**

## Welding Tools for the Professional

100% Tregaskiss® Compatibility Guaranteed

### Quality Wear Parts

All wear parts are manufactured to the same specification as the original manufacturer ensuring reliability, longevity and superior performance

- Contact tips are manufactured from premium grade copper alloys; we don't sacrifice performance by using low end or recycled raw materials
- A range of high performance head assemblies are available as standard
- The correct specification of raw material type, surface finish, tensile strength and the coiling technology utilized to form the liner are all essential elements in achieving the correct manufacture of a liner



### Superior Flexibility and Durability

Every detail has been considered to ensure the welder has the very best handling in all positions

- Cable supports are designed to combine flexibility with smooth and consistent wire feeding
- Cable sets offer the ultimate in heat and abrasion resistance, fused by an electron beam process that maximizes flexibility and enhances durability



### Tough and Resilient

Glass filled polymers are used to produce tough and resilient handle sets and rear end housings

- Euro bodies utilize industry standard (thanks to us!) spring pins
- A broad selection of optional rear-end terminations ensure worldwide compatibility



## The Smart Way To Buy Welding and Cutting Tools



# TRG Mig/Mag Torch Range

Ratings: 200 Amp to 350 Amp, Mixed Gas

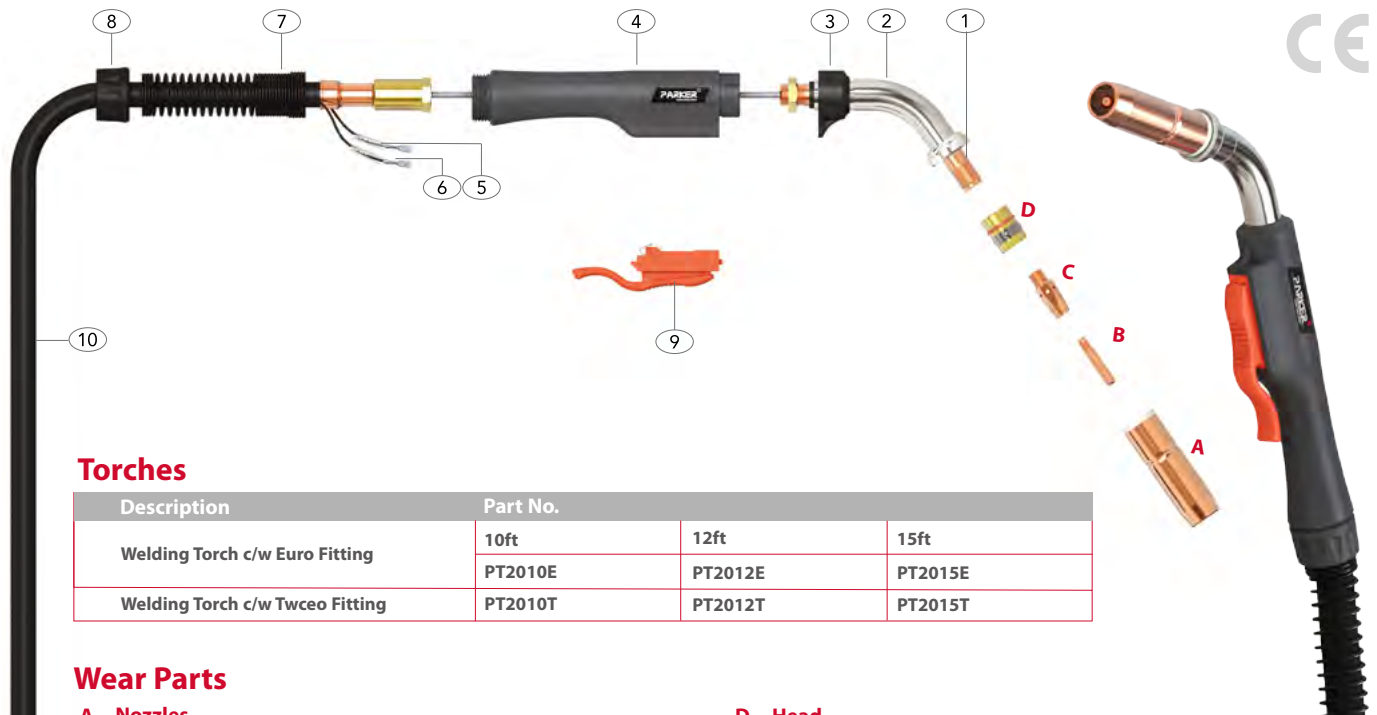


Model	TR 200A	TR 300A	TR 400A	TR 500A
<b>Technical Data</b>				
Cooling Method	Air-Cooled	Air-Cooled	Air-Cooled	Air-Cooled
Rating: CO <sub>2</sub>	250A	300A	400A	500A
Rating: Mixed Gas	200A	200A	300A	350A
Duty Cycle	60%	60%	60%	60%
Wire Size	0.6-1.2	0.8-1.2	1.0-1.6	1.0-1.6

<b>Order Codes</b>	<b>10ft</b>	PT2010 E/M/T/L	PT3010 E/M/T/L	PT4010 E/M/T/L	PT5010 E/M/T/L
	<b>12ft</b>	PT2012 E/M/T/L	PT3012 E/M/T/L	PT4012 E/M/T/L	PT5012 E/M/T/L
	<b>15ft</b>	PT2015 E/M/T/L	PT3015 E/M/T/L	PT4015 E/M/T/L	PT5015 E/M/T/L

## TR 200A Mig/Mag Torch Range

Rating: 250A CO<sub>2</sub>, 200A mixed gas, EN60974-7 @ 60% duty cycle. 0.6 to 1.2mm / 0.023-0.045" wires  
Air-Cooled Mig Welding Torch



### Torches

Description	Part No.		
	10ft	12ft	15ft
Welding Torch c/w Euro Fitting	PT2010E	PT2012E	PT2015E
Welding Torch c/w Twceo Fitting	PT2010T	PT2012T	PT2015T

### Wear Parts

#### A Nozzles

Part No.	Description	Bore	Wall	Material
P401-4-38	1/8" Recess Tip 3/8"	9.50	2.25mm	Copper
P401-4-50	1/8" Recess Tip 1/2"	12.7	2.25mm	Copper
*P401-4-62	1/8" Recess Tip 5/8"	16.0	2.25mm	Copper
P401-4-75	1/8" Recess Tip 3/4"	19.0	2.25mm	Copper
P401-5-50	1/4" Recess Tip 1/2"	12.7	2.40mm	Copper
P401-5-62	1/4" Recess Tip 5/8"	16.0	2.40mm	Copper
P401-5-75	1/4" Recess Tip 3/4"	19.0	2.40mm	Copper
P401-6-50	1/8" Recess Tip 1/2"	12.7	2.40mm	Copper
P401-6-62	1/8" Recess Tip 5/8"	16.0	2.40mm	Copper
P401-6-75	1/8" Recess Tip 3/4"	19.0	2.40mm	Copper

#### B Contact Tips

Part No.	Description	Material	Wire Size	
			mm	Inch
P403-10	Contact Tip	Ecu	1.0	0.040
P403-23	Contact Tip	Ecu	0.6	0.023
P403-30	Contact Tip	Ecu	0.8	0.030
*P403-35	Contact Tip	Ecu	0.9	0.035
P403-45	Contact Tip	Ecu	1.2	0.045

#### C Diffusers

Part No.	Description	Material
*P404	Gas Diffuser For Std Tip	Copper
P404-1	Gas Diffuser For H.D Tip	Copper

#### D Head

Part No.	Description	Material
*P402-3	Retaining Head Assembly	Brass

#### E Liners

Part No.	Description	Length	Wire Size	
			mm	Inch
P415-23-10B	Steel Liner x 10ft	3.80mt	0.6	0.023
P415-23-15B	Steel Liner x 15ft	4.90mt	0.6	0.023
P415-30-10B	Steel Liner x 10ft	3.80mt	0.8	0.030
P415-30-15B	Steel Liner x 15ft	4.90mt	0.8	0.030
*P415-35-10B	Steel Liner x 10ft	3.80mt	0.9-1.2	0.035-0.045
*P415-35-15B	Steel Liner x 15ft	4.90mt	0.9-1.2	0.035-0.045

### Spare parts

Part No.	Description
1 P402-5	Shock Washer
2 P205-60	Swan Neck Assembly
3 P210-6	Small Tregaskiss Handle End Cap
4 PRA20017K	Handle Assembly
5 PB1521	Cable Terminal
6 PB1521-C	Cable Terminal Cover
7 PTR8017	Spring Cable Support
8 PTR8003	Handle Lock Nut
9 P211-5	Trigger
10 P213-10	Cable Assembly x 10ft
P213-12	Cable Assembly x 12ft
P213-15	Cable Assembly x 15ft

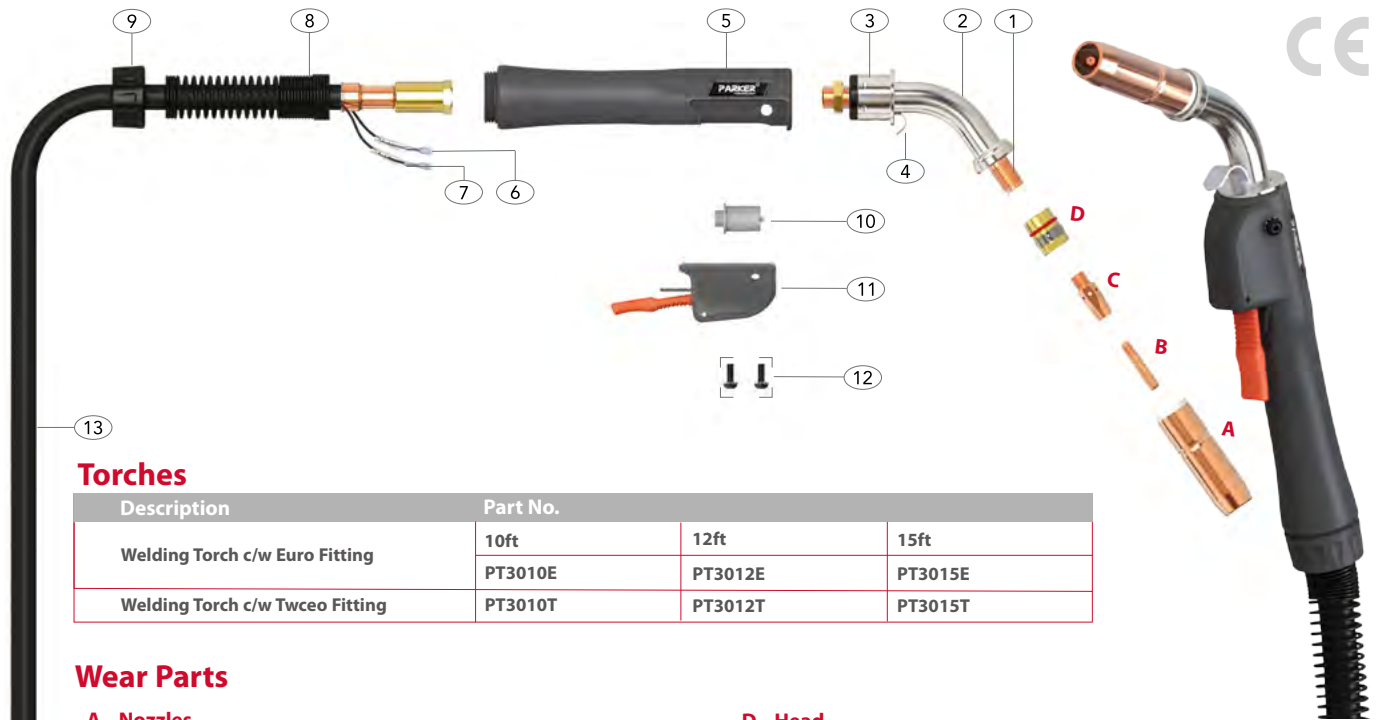
\*Denotes torch package standard wear part set-up  
For more information please refer to the following sections:  
•Master Wear Parts Table Page 12-14  
•Rear-End / Cable Parts Page 15-18





# TR 300A Mig/Mag Torch Range

Rating: 300A CO<sub>2</sub>, 200A mixed gas, EN60974-7 @ 60% duty cycle. 0.8 to 1.2mm / 0.030-0.045" wires  
Air-Cooled Mig Welding Torch



## Torches

Description	Part No.		
	10ft	12ft	15ft
Welding Torch c/w Euro Fitting	PT3010E	PT3012E	PT3015E
Welding Torch c/w Twceo Fitting	PT3010T	PT3012T	PT3015T

## Wear Parts

### A Nozzles

Part No.	Description	Bore	Wall	Material
P401-4-38	1/8" Recess Tip 3/8"	9.50	2.25mm	Copper
P401-4-50	1/8" Recess Tip 1/2"	12.7	2.25mm	Copper
*P401-4-62	1/8" Recess Tip 5/8"	16.0	2.25mm	Copper
P401-4-75	1/8" Recess Tip 3/4"	19.0	2.25mm	Copper
P401-5-50	1/4" Recess Tip 1/2"	12.7	2.40mm	Copper
P401-5-62	1/4" Recess Tip 5/8"	16.0	2.40mm	Copper
P401-5-75	1/4" Recess Tip 3/4"	19.0	2.40mm	Copper
P401-6-50	1/8" Recess Tip 1/2"	12.7	2.40mm	Copper
P401-6-62	1/8" Recess Tip 5/8"	16.0	2.40mm	Copper
P401-6-75	1/8" Recess TIP 3/4"	19.0	2.40mm	Copper

### B Contact Tips

Part No.	Description	Material	Wire Size	
			mm	inch
P403-10	Contact Tip	Ecu	1.0	0.040
P403-30	Contact Tip	Ecu	0.8	0.030
*P403-35	Contact Tip	Ecu	0.9	0.035
P403-45	Contact Tip	Ecu	1.2	0.045
P403-1-10	Contact Tip	Ecu	1.0	0.040
P403-1-30	Contact Tip	Ecu	0.8	0.030
P403-1-35	Contact Tip	Ecu	0.9	0.035
P403-1-45	Contact Tip	Ecu	1.2	0.045
P403-1-364	Contact Tip	Ecu	1.2A	3/64"A

### C Diffusers

Part No.	Description	Material
*P404	Gas Diffuser For Std Tip	Copper
P404-1	Gas Diffuser For H.D Tip	Copper

### D Head

Part No.	Description	Material
*P402-3	Retaining Head Assembly	Brass
P404-3	Retaining Head Assembly	Brass

### E Liners

Part No.	Description	Length	Wire Size	
			mm	inch
P415-30-10B	Steel Liner x 10ft	3.80mt	0.8	0.030
P415-30-15B	Steel Liner x 15ft	4.90mt	0.8	0.030
*P415-35-10B	Steel Liner x 10ft	3.80mt	0.9-1.2	0.035-0.045
*P415-35-15B	Steel Liner x 15ft	4.90mt	0.9-1.2	0.035-0.045

## Spare Parts

Part No.	Description
1	P402-5 Shock Washer
2	P305-60 Swan Neck Assembly
3	P407 Torch Body Assembly
4	PB2517 Hanger Hook
5	PRA30017K Handle Assembly
6	PB1521 Cable Terminal
7	PB1521-C Cable Terminal Cover
8	PTR8018 Cable Support
9	PTR8015 Handle Lock Nut
10	P411-1 Trigger Switch
11	PRA30017Q Switch Housing c/w Trigger
12	P411-3 No.10-32 UNF Screws c/w Washer
13	P313-10 Cable Assembly x 10ft
	P313-12 Cable Assembly x 12ft
	P313-15 Cable Assembly x 15ft

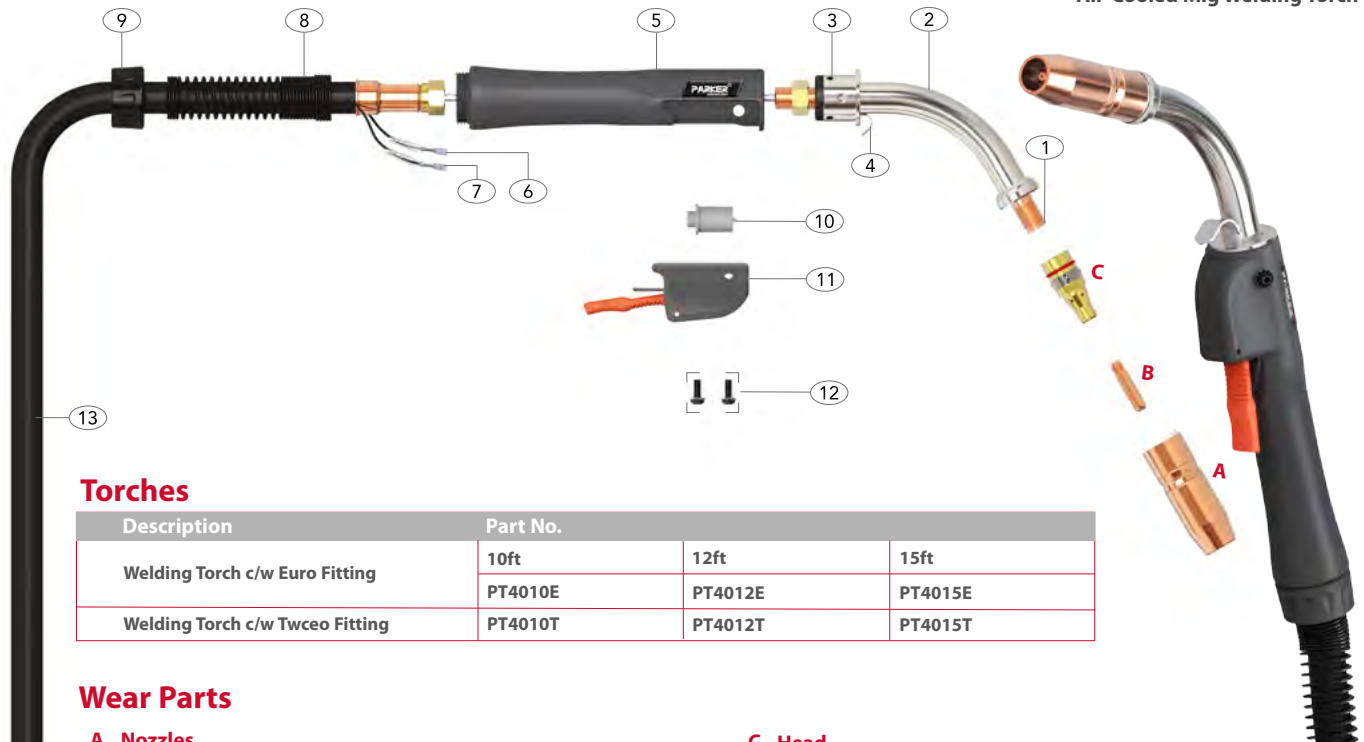
\*Denotes torch package standard wear part set-up  
For more information please refer to the following sections:  
•Master Wear Parts Table Page 12-14  
•Rear-End / Cable Parts Page 15-18



## TR 400A Mig/Mag Torch Range

Rating: 400A CO<sub>2</sub>, 300A mixed gas, EN60974-7 @ 60% duty cycle. 1.0 to 1.6mm / 0.040-1/16" wires

Air-Cooled Mig Welding Torch



### Torches

Description	Part No.		
	10ft	12ft	15ft
Welding Torch c/w Euro Fitting	PT4010E	PT4012E	PT4015E
Welding Torch c/w Twceo Fitting	PT4010T	PT4012T	PT4015T

### Wear Parts

#### A Nozzles

Part No.	Description	Bore	Wall	Material
P401-4-38	1/8" Recess Tip 3/8"	9.50	2.25mm	Copper
P401-4-50	1/8" Recess Tip 1/2"	12.7	2.25mm	Copper
P401-4-62	1/8" Recess Tip 5/8"	16.0	2.25mm	Copper
P401-4-75	1/8" Recess Tip 3/4"	19.0	2.25mm	Copper
P401-5-50	1/4" Recess Tip 1/2"	12.7	2.40mm	Copper
*P401-5-62	1/4" Recess Tip 5/8"	16.0	2.40mm	Copper
P401-5-75	1/4" Recess Tip 3/4"	19.0	2.40mm	Copper
P401-6-50	1/8" Recess Tip 1/2"	12.7	2.40mm	Copper
P401-6-62	1/8" Recess Tip 5/8"	16.0	2.40mm	Copper
P401-6-75	1/8" Recess Tip 3/4"	19.0	2.40mm	Copper

#### B Contact Tips

Part No.	Description	Material	Wire Size	
			mm	inch
P403-10	Contact Tip	Ecu	1.0	0.040
P403-35	Contact Tip	Ecu	0.9	0.035
P403-45	Contact Tip	Ecu	1.2	0.045
P403-52	Contact Tip	Ecu	1.3	0.052
P403-116	Contact Tip	Ecu	1.6	1/16"
P403-1-10	Contact Tip	Ecu	1.0	0.040
P403-1-35	Contact Tip	Ecu	0.9	0.035
*P403-1-45	Contact Tip	Ecu	1.2	0.045
P403-1-52	Contact Tip	Ecu	1.3	0.052
P403-1-55	Contact Tip	Ecu	1.4	0.055
P403-1-116	Contact Tip	Ecu	1.6	1/16"
P403-1-364	Contact Tip	Ecu	1.2A	3/64"A

#### C Head

Part No.	Description	Material
P402-3	Retaining Head Assembly	Brass
*P404-3	Retaining Head Assembly	Brass

#### D Liners

Part No.	Description	Length	Wire Size	
			mm	inch
P415-35-10B	Steel Liner x 10ft	3.80mt	0.9-1.2	0.035-0.045
P415-35-15B	Steel Liner x 15ft	4.90mt	0.9-1.2	0.035-0.045
*P415-116-10B	Steel Liner x 10ft	3.80mt	1.2-1.6	0.045-1/16"
*P415-116-15B	Steel Liner x 15ft	4.90mt	1.2-1.6	0.045-1/16"

### Spare Parts

Part No.	Description
1 P402-5	Shock Washer
2 P405-60	Swan Neck Assembly
3 P407	Torch Body Assembly
4 PB2517	Hanger Hook
5 PRA30017K	Handle Assembly
6 PB1521	Cable Terminal
7 PB1521-C	Cable Terminal Cover
8 PTR8018	Cable Support
9 PTR8015	Handle Lock Nut
10 P411-1	Trigger Switch
11 PRA30017Q	Switch Housing c/w Trigger
12 P411-3	No.10-32 UNF Screws c/w Washer
13 P413-10	Cable Assembly x 10ft
P413-12	Cable Assembly x 12ft
P413-15	Cable Assembly x 15ft

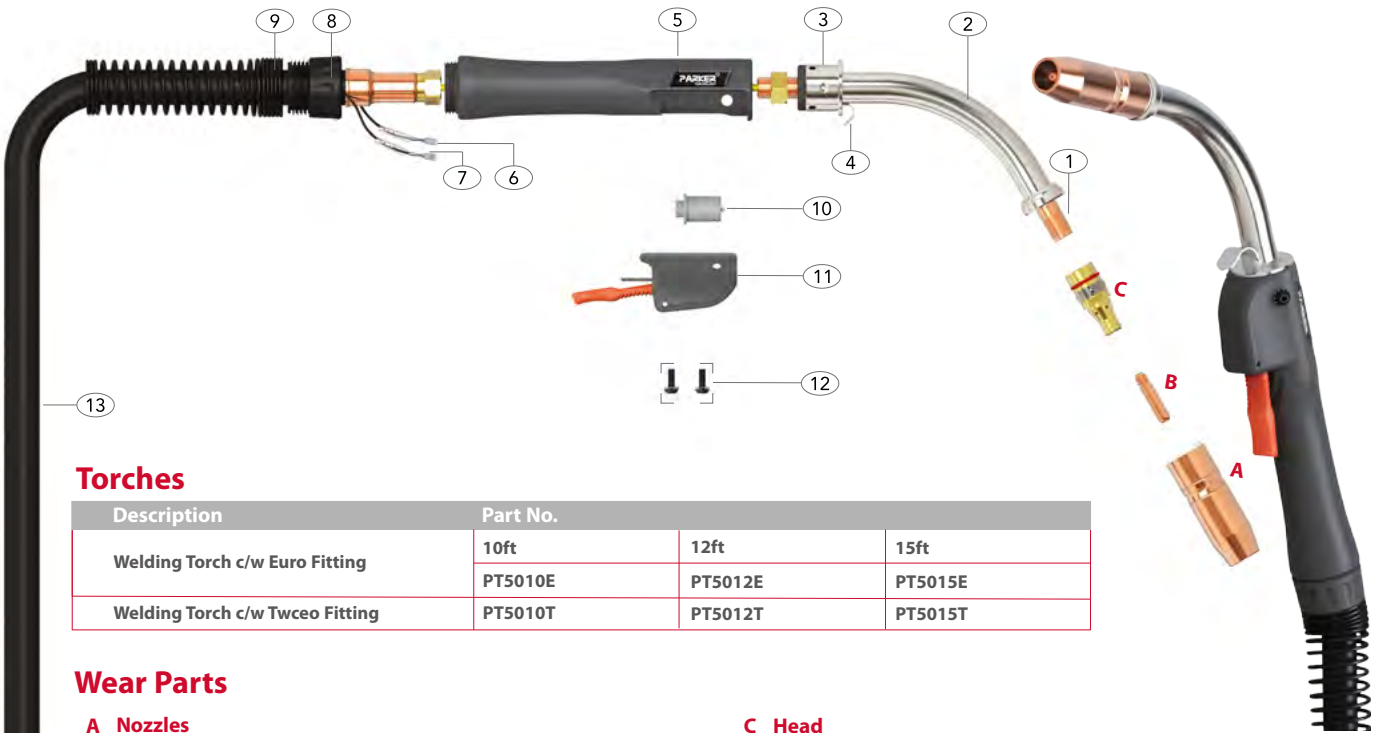
\*Denotes torch package standard wear part set-up  
For more information please refer to the following sections:  
•Master Wear Parts Table Page 12-14  
•Rear-End / Cable Parts Page 15-18



# TR 500A Mig/Mag Torch Range

Rating: 500A CO<sub>2</sub>, 350A mixed gas, EN60974-7 @ 60% duty cycle. 1.0 to 1.6mm / 0.040-1/16" wires

Air-Cooled Mig Welding Torch



## Torches

Description	Part No.		
	10ft	12ft	15ft
Welding Torch c/w Euro Fitting	PT5010E	PT5012E	PT5015E
Welding Torch c/w Twceo Fitting	PT5010T	PT5012T	PT5015T

## Wear Parts

### A Nozzles

Part No.	Description	Bore	Wall	Material
P401-4-38	1/8" Recess tip 3/8"	9.50	2.25mm	Copper
P401-4-50	1/8" Recess tip 1/2"	12.7	2.25mm	Copper
P401-4-62	1/8" Recess tip 5/8"	16.0	2.25mm	Copper
P401-4-75	1/8" Recess tip 3/4"	19.0	2.25mm	Copper
P401-5-50	1/4" Recess tip 1/2"	12.7	2.40mm	Copper
*P401-5-62	1/4" Recess tip 5/8"	16.0	2.40mm	Copper
P401-5-75	1/4" Recess tip 3/4"	19.0	2.40mm	Copper
P401-6-50	1/8" Recess tip 1/2"	12.7	2.40mm	Copper
P401-6-62	1/8" Recess tip 5/8"	16.0	2.40mm	Copper
P401-6-75	1/8" Recess tip 3/4"	19.0	2.40mm	Copper

### B Contact Tips

Part No.	Description	Material	Wire Size	
			mm	inch
P403-10	Contact Tip	Ecu	1.0	0.040
P403-45	Contact Tip	Ecu	1.2	0.045
P403-52	Contact Tip	Ecu	1.3	0.052
P403-116	Contact Tip	Ecu	1.6	1/16"
P403-1-10	Contact Tip	Ecu	1.0	0.040
P403-1-45	Contact Tip	Ecu	1.2	0.045
P403-1-52	Contact Tip	Ecu	1.3	0.052
P403-1-55	Contact Tip	Ecu	1.4	0.055
*P403-1-116	Contact Tip	Ecu	1.6	1/16"
P403-1-364	Contact Tip	Ecu	1.2A	3/64" A
P403-1-564	Contact Tip	Ecu	2.0	5/64"

### C Head

Part No.	Description	Material
P402-3	Retaining Head Assembly	Brass
*P404-3	Retaining Head Assembly	Brass

### D Liners

Part No.	Description	Length	Wire Size	
			mm	inch
P415-35-10B	Steel Liner x 10ft	3.80mt	0.9-1.2	0.035-0.045
P415-35-15B	Steel Liner x 15ft	4.90mt	0.9-1.2	0.035-0.045
*P415-116-10B	Steel Liner x 10ft	3.80mt	1.2-1.6	0.045-1/16"
*P415-116-15B	Steel Liner x 15ft	4.90mt	1.2-1.6	0.045-1/16"

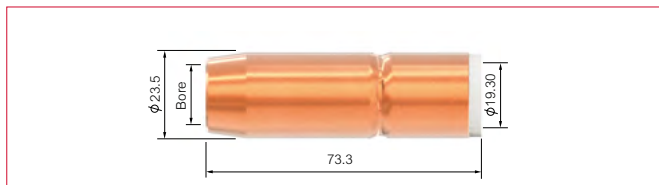
## Spare Parts

Part No.	Description
1	P402-5 Shock Washer
2	P305-60 Swan Neck Assembly
3	P407 Torch Body Assembly
4	PB2517 Hanger Hook
5	PRA30017K Handle Assembly
6	PB1521 Cable Terminal
7	PB1521-C Cable Terminal Cover
8	PRA50017F Lock Nut
9	PTR8019 Cable Support - Large Handle
10	P411-1 Trigger Switch
11	PRA30017Q Switch Housing c/w Trigger
12	P411-3 No.10-32 UNF Screws c/w Washer
13	P513-10 Cable Assembly x 10ft
	P513-12 Cable Assembly x 12ft
	P513-15 Cable Assembly x 15ft

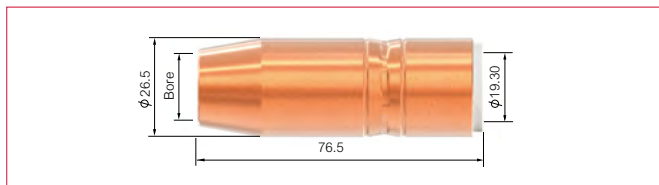
\*Denotes torch package standard wear part set-up  
For more information please refer to the following sections:  
•Master Wear Parts Table Page 12-14  
•Rear-End / Cable Parts Page 15-18

**TRG 200A/300A/400A/500A**

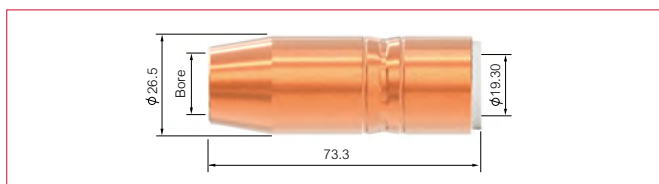
Part No.	Description	Bore	Wall	Material
P401-4-38	1/8" Recess Tip 3/8" Bore Nozzle	9.50	2.25mm	Copper
P401-4-50	1/8" Recess Tip 1/2" Bore Nozzle	12.7	2.25mm	Copper
*P401-4-62	1/8" Recess Tip 5/8" Bore Nozzle	16.0	2.25mm	Copper
P401-4-75	1/8" Recess Tip 3/4" Bore Nozzle	19.0	2.25mm	Copper



P401-5-50	1/4" Recess Tip 1/2" Bore Nozzle	12.7	2.40mm	Copper
*P401-5-62	1/4" Recess Tip 5/8" Bore Nozzle	16.0	2.40mm	Copper
P401-5-75	1/4" Recess Tip 3/4" Bore Nozzle	19.0	2.40mm	Copper



P401-6-50	1/8" Recess Tip 1/2" Bore Nozzle	12.7	2.40mm	Copper
P401-6-62	1/8" Recess Tip 5/8" Bore Nozzle	16.0	2.40mm	Copper
P401-6-75	1/8" Recess Tip 3/4" Bore Nozzle	19.0	2.40mm	Copper

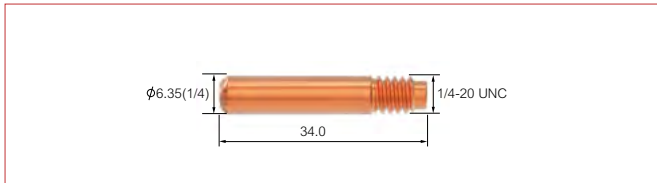


\* Denotes torch package standard wear part set-up

## Contact Tip

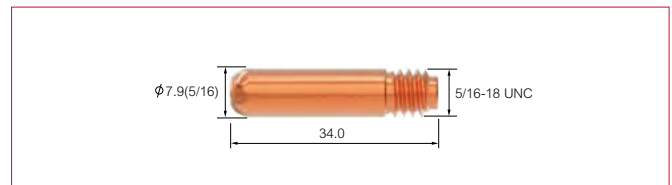
### TRG 200A/300A/400A/500A

Part No.	Description	Wire Size		Material
		mm	inch	
P403-10	Contact Tip	1.0	0.040	Ecu
P403-23	Contact Tip	0.6	0.023	Ecu
P403-30	Contact Tip	0.8	0.030	Ecu
*P403-35	Contact Tip	0.9	0.035	Ecu
P403-45	Contact Tip	1.2	0.045	Ecu
P403-52	Contact Tip	1.3	0.052	Ecu
P403-116	Contact Tip	1.6	1/16"	Ecu



### TRG 300A/400A/500A

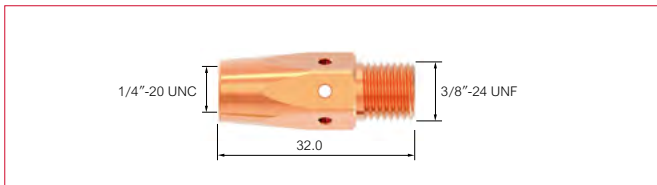
Part No.	Description	Wire Size		Material
		mm	inch	
P403-1-10	Contact Tip	1.0	0.040	Ecu
P403-1-30	Contact Tip	0.8	0.030	Ecu
P403-1-35	Contact Tip	0.9	0.035	Ecu
*P403-1-45	Contact Tip	1.2	0.045	Ecu
P403-1-52	Contact Tip	1.3	0.052	Ecu
P403-1-55	Contact Tip	1.4	0.055	Ecu
P403-1-1.8	Contact Tip	1.8	0.071	Ecu
*P403-1-116	Contact Tip	1.6	1/16"	Ecu
P403-1-332	Contact Tip	2.4	3/32"	Ecu
P403-1-364	Contact Tip	1.2A	3/64"A	Ecu
P403-1-564	Contact Tip	2.0	5/64"	Ecu



## Diffuser

### TRG 200A/300A

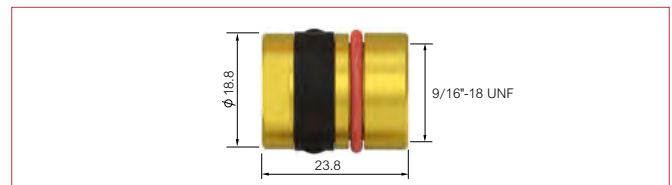
Part No.	Description	Material
*P404	Gas Diffuser For Std Tip	Copper
P404-1	Gas Diffuser For H.D Tip	Copper



## Head

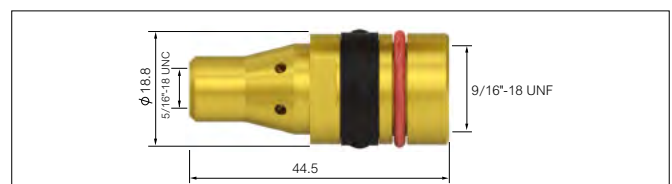
### TRG 200A/300A/400A/500A

Part No.	Description	Material
*P402-3	Retaining Head Assembly	Brass



### TRG 300A/400A/500A

Part No.	Description	Material
*P404-3	Retaining Head Assembly	Brass



\* Denotes torch package standard wear part set-up

**Liner Options 0.8-0.9mm**

**TRG 200A**

Part No.	Description	Length	Nipple	Wire Size	
				mm	inch
P415-23-10B	Steel Liner x 10ft	3.80m	Brass Nipple	0.6	0.023
P415-23-15B	Steel Liner x 15ft	4.90m	Brass Nipple	0.6	0.023
P415-23-25B	Steel Liner x 25ft	8.10m	Brass Nipple	0.6	0.023



**TRG 200A/300A**

Part No.	Description	Length	Nipple	Wire Size	
				mm	inch
P415-30-10B	Steel Liner x 10ft	3.80m	Brass Nipple	0.8	0.030
P415-30-15B	Steel Liner x 15ft	4.90m	Brass Nipple	0.8	0.030
P415-30-25B	Steel Liner x 25ft	8.10m	Brass Nipple	0.8	0.030



**TRG 200A/300A/400A/500A**

Part No.	Description	Length	Nipple	Wire Size	
				mm	inch
*P415-35-10B	Steel Liner x 10ft	3.80m	Brass Nipple	0.9-1.2	0.035-0.045
*P415-35-15B	Steel Liner x 15ft	4.90m	Brass Nipple	0.9-1.2	0.035-0.045
P415-35-25B	Steel Liner x 25ft	8.10m	Brass Nipple	0.9-1.2	0.035-0.045



**TRG 400A/500A**

Part No.	Description	Length	Nipple	Wire Size	
				mm	inch
P415-116-1B	Steel Liner x 1ft	0.30m	Brass Nipple	1.2-1.6	0.045-1/16"
*P415-116-10B	Steel Liner x 10ft	3.80m	Brass Nipple	1.2-1.6	0.045-1/16"
*P415-116-15B	Steel Liner x 15ft	4.90m	Brass Nipple	1.2-1.6	0.045-1/16"
P415-116-25B	Steel Liner x 25ft	8.10m	Brass Nipple	1.2-1.6	0.045-1/16"

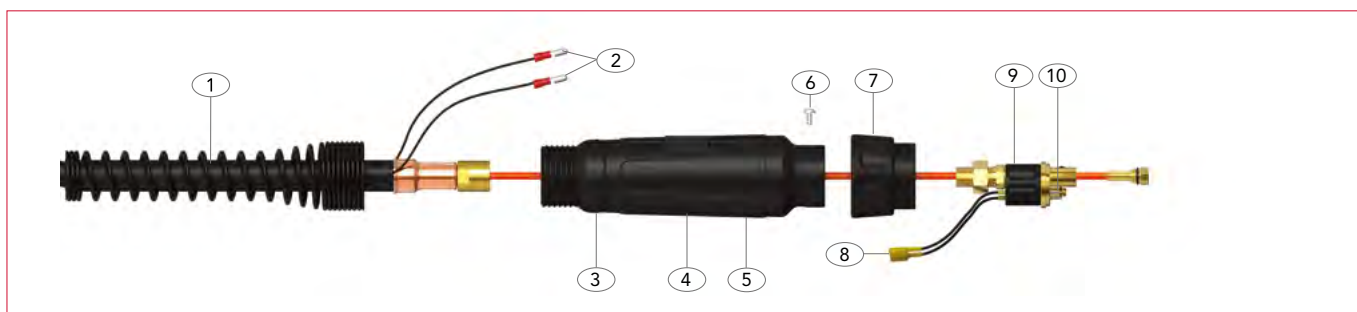


\* Denotes torch package standard wear part set-up

## Euro Termination

### TRG 200/300/400

Part No.	Description
1 PC8026	Housing Spring(Short)
2 PB1522	Cable Terminal Male
3 PT8028	Spring Cable Support Nut
4 SC8017	Large Housing Cover
5 PT5022	Gun Plug Housing Assembly
6 PBL1541	Gun Plug Screw
7 PC1519/S	Euro Housing Nut Assembly
8 PB1523	Gun Plug Terminal Female
9 PC425-10K	Euro Gun Plug Body
10 PB1524	Gun Plug "O" Ring



## Euro Termination

### TRG 500

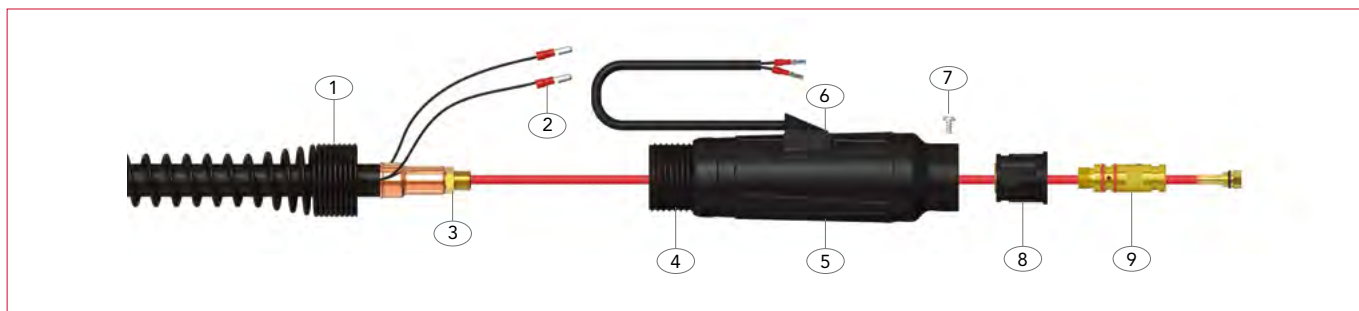
Part No.	Description
1 PC8026	Housing Spring(Short)
2 PB1522	Cable Terminal Male
3 PT8028	Spring Cable Support Nut
4 SC8017	Large Housing Cover
5 PT5022	Gun Plug Housing Assembly
6 PB1526	Gun Plug Screw
7 PB1519/S	Euro Housing Nut Assembly
8 PB1523	Gun Plug Terminal Female
9 PE425-10K	Gun Plug Body
10 PB1524	Gun Plug 'O' Ring



**Tweco® Termination**

**TRG 200/300/400**

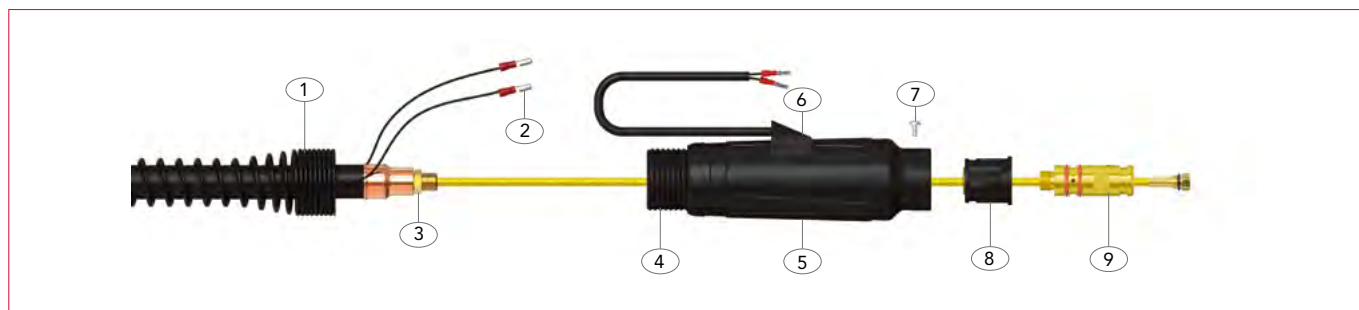
Part No.	Description
1 PC8026	Spring Cable Support
2 PB1522	Cable Terminal Male
3 PXL1542	Cable End Lock Nut (M12 X 1.0)
4 PT8028	Spring Cable Support Nut
5 PT5022	Gun Plug Housing Assembly
6 SC8017	Large Housing Wire Cover
7 PBL1541	Gun Plug Screw
8 PECEM1575/2	Hybrid Plug Body TWC 1-4
9 PECET1575/1	Tweco® 1-4 Power Pin



**Tweco® Termination**

**TRG 500**

Part No.	Description
1 PC8026	Spring Cable Support
2 PB1522	Cable Terminal Male
3 PXL1543	Cable End Lock Nut (M14 X 1.0)
4 PT8028	Spring Cable Support Nut
5 PT5022	Gun Plug Housing Assembly
6 SC8017	Large Housing Wire Cover
7 PECEM1576/2	Hybrid Plug Body TWC 5
8 PBL1541	Gun Plug Screw
9 PECET1576/1	Tweco® 5 Power Pin

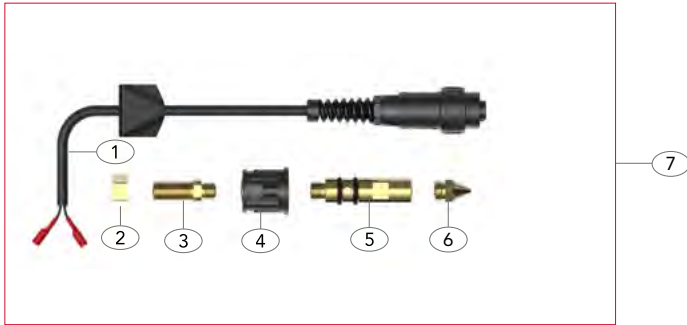




# TRG Mig/Mag Torch Range

## USA Direct Plug Connector Kits

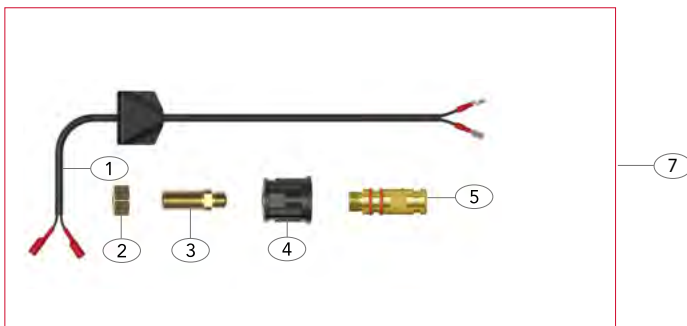
### Miller®



### Direct Plug Connector

Part No.	Description
1	PECEM1575/SW/C Miller® Plug Assembly
2	PE425-10K/3 Cable End Lock Nut
3	PTR1587 Cable End Adaptor
4	PECEM1575/2 Hybrid Plug Body TWC 1-4
5	PECEM1575/T/1 Miller® Power Pin
6	*PML1570 Wire Guide 0.35" - 1/16"
	PML1571 Wire Guide 5/16" - 3/32"
7	PECEM1575/TE Miller® Rear End Kit

### Tweco®



### Direct Plug Connector

Part No.	Description
1	PECEL1575/SW/C Switch Wire Assembly
2	PE425-10K/3 Cable End Lock Nut
3	PTR1587 Cable End Adaptor
4	PECEM1575/2 Hybrid Plug Body TWC 1-4
5	PECET1575/T/1 Tweco® 1-4 Power Pin
6	PECET1576/T/1 Tweco® 5 Power Pin
7	PECEM1575/TE Tweco® Rear End Kit
	PECET1576/TE Tweco® Rear End Kit



### Direct Plug Connector

Part No.	Description
1	PM16725/C Lincoln® Plug Assembly
2	PE425-10K/3 Cable End Lock Nut
3	PTR1587 Cable End Adaptor
4	PECEL1575/G Lincoln® Gas Tube Assembly
5	PECEL1575/T Lincoln® Power Pin
6	PT5022/L Gun Plug Housing Assembly Lincoln®
7	PECEL1575/TE Lincoln® Rear End Kit

### Lincoln®



\* Denotes torch package standard wear part set-up

**USA Direct Plug Connector Kits**

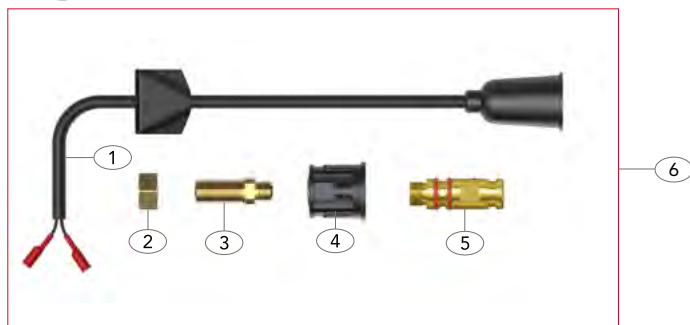
**LPW**



**Direct Plug Connector**

Part No.	Description
1	PECEM1575/SW/C Miller® Plug Assembly
2	PE425-10K/3 Cable End Lock Nut
3	PTR1587 Cable End Adaptor
4	PECEM1575/2 Hybrid Plug Body TWC 1-4
5	PECET1575/T/1 Tweco® 1-4 Power Pin
6	PECELPW1575/TE LPW Rear End Kit

**LPB**



**Direct Plug Connector**

Part No.	Description
1	PM16725/C Lincoln® Plug Assembly
2	PE425-10K/3 Cable End Lock Nut
3	PTR1587 Cable End Adaptor
4	PECEM1575/2 Hybrid Plug Body TWC 1- 4
5	PECET1575/T/1 Tweco® 1- 4 Power Pin
6	PECELPB1575/TE LPB Rear End Kit





Jinan Export Processing Zone  
The East End Of Jing Shi Dong Road  
Jinan 250102  
P.R. China

Tel: +86 531 88239823  
Fax: +86 531 88239398  
Website: [www.parkertorchology.com](http://www.parkertorchology.com)  
Email: [info@parkertorchology.com](mailto:info@parkertorchology.com)  
MPP012 / V.2019.06