

**TWC**  
MIG/MAG SERIES



**Welding Tools for the Professional**

## A Smart Approach

Parker Torchology is shaped by people with vision, a passion for improvement and a belief in delivering the very best Welding and Cutting Torch Range in the World.

We expect a great deal from our products, so we ask a lot of ourselves and our engineers.

Our mantra: **Innovation, Technology, Performance.**



## DNA

Design and Engineering excellence are at the core of everything we do.

Every torch we build is driven by our relentless pursuit of perfection.

## Premium Features

At Parker Torchology we do things differently, we strive to solve your problems with the perfect product to suit your needs. We create smart product features encased in cutting-edge design to ensure you always have the best tools to hand.





## Production

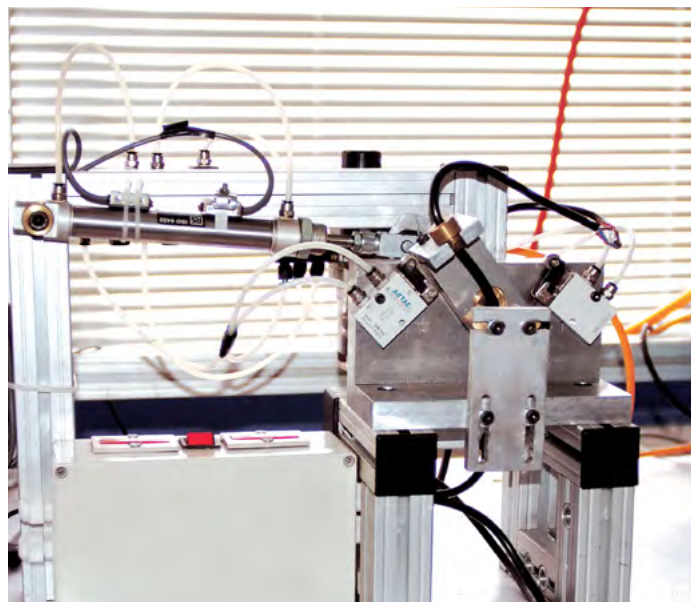
A fusion of precision production engineering, our bespoke processing techniques and a fanatical attention to detail ensures every welding torch we produce is worthy of the Parker Torchology name.

## Testing, Testing, Testing

It takes patience to develop a new product, it's a lot more than a great idea.

Product development is an iterative process, trying something over and over, changing one small variable at a time.

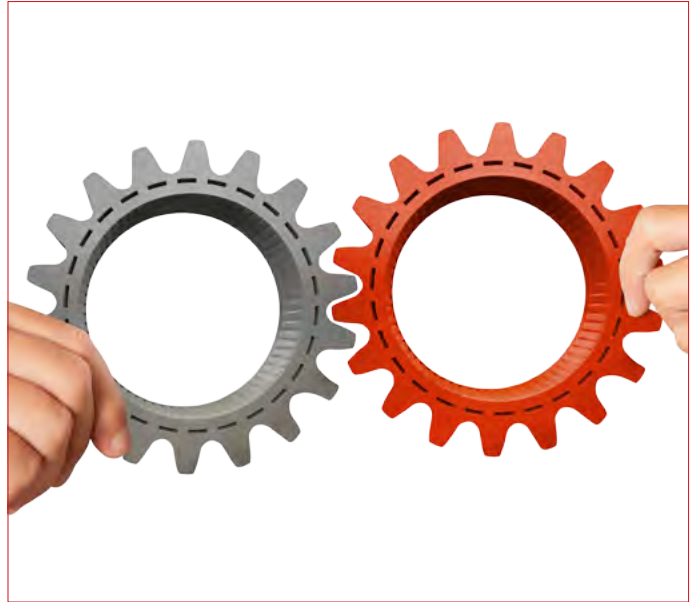
We build endless prototypes and test pieces that undergo months of rigorous testing. Only once a product has passed up to 88 different test procedures, with every single part tested separately do we consider our latest designs ready for market.



## Partners

Our customers and business partners play a vital role in our development. With the core aim to strive together, we work with end-users, distributors and academic institutions alike.

As a result we share fundamental values in order to succeed in our respective market places, supporting economic growth and collaborative opportunities with others.



## A Bright Future

Technology doesn't stand still, which is why we are constantly innovating to bring you the best products on the market.

Our strong vision and focused innovation strategy, not to mention our passion to revolutionize the industry, ensure that Parker Torchology is a byword for excellence.

**We Talk Torches**

## Contents

|  |   |
|--|---|
| TWC Mig/Mag Torch Range Features Focus       | 6 |
| TWC Mig/Mag Torch Range Overview and Ratings | 7 |

---

### Torch Range

|                   |                |    |
|-------------------|----------------|----|
| <b>Air-Cooled</b> | <b>TW NO.1</b> | 8  |
|                   | <b>TW NO.2</b> | 9  |
|                   | <b>TW NO.3</b> | 10 |
|                   | <b>TW NO.4</b> | 11 |
|                   | <b>TW NO.5</b> | 12 |

---

### Wear Parts

|              |    |
|--------------|----|
| Nozzles      | 13 |
| Contact Tips | 14 |
| Diffusers    | 15 |
| Liners       | 16 |

---

|                             |    |
|-----------------------------|----|
| <b>Rear-End Spare Parts</b> | 19 |
|-----------------------------|----|

|                                   |    |
|-----------------------------------|----|
| <b>Direct Plug Connector Kits</b> | 22 |
|-----------------------------------|----|

# TWC Mig/Mag Torch Range

## Air-Cooled Features Focus

The traditional North American TWC Series developed for high performance in heavy industrial environments.

# Air-Cooled

## Welding Tools for the Professional

100% Tweco® Compatibility Guaranteed

### Quality Wear Parts

All wear parts are manufactured to the same specification as the original manufacturer ensuring reliability, longevity and superior performance

- Contact tips are manufactured from premium grade copper alloys; we don't sacrifice performance by using low end or recycled raw materials
- Standard and high-performance options are available for tip adaptors, diffusers and swan necks
- The correct specification of raw material type, surface finish, tensile strength and the coiling technology utilized to form the liner are all essential elements in achieving the correct manufacture of a liner



### Superior Flexibility and Durability

Every detail has been considered to ensure the welder has the very best handling in all positions

- Improved balance and positionability with the addition of a knuckle joint which enables small movements of the handle and neck independently of the cable assembly
- Cable sets offer the ultimate in heat and abrasion resistance, fused by an electron beam process that maximizes flexibility and enhances durability



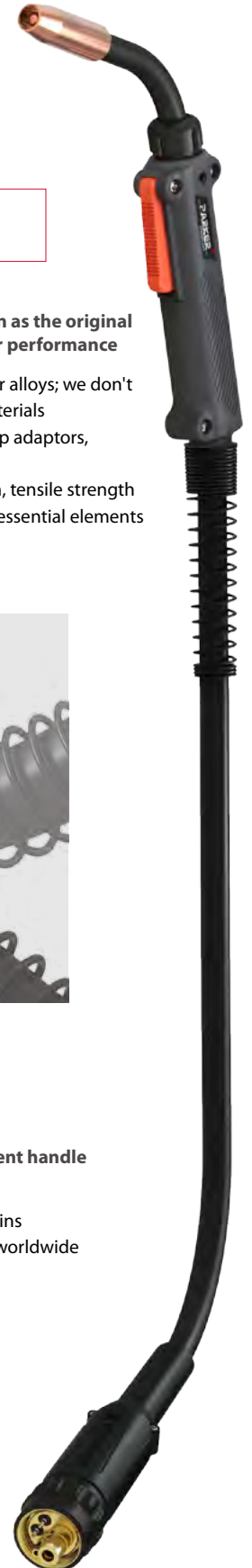
### Tough and Resilient

Glass filled polymers are used to produce tough and resilient handle sets and rear-end housings

- Euro bodies utilize industry standard (thanks to us!) spring pins
- A broad selection of optional rear-end terminations ensure worldwide compatibility



## The Smart Way To Buy Welding and Cutting Tools



# TWC Mig/Mag Torch Range

Ratings: 125 Amp to 400 Amp, Mixed Gas

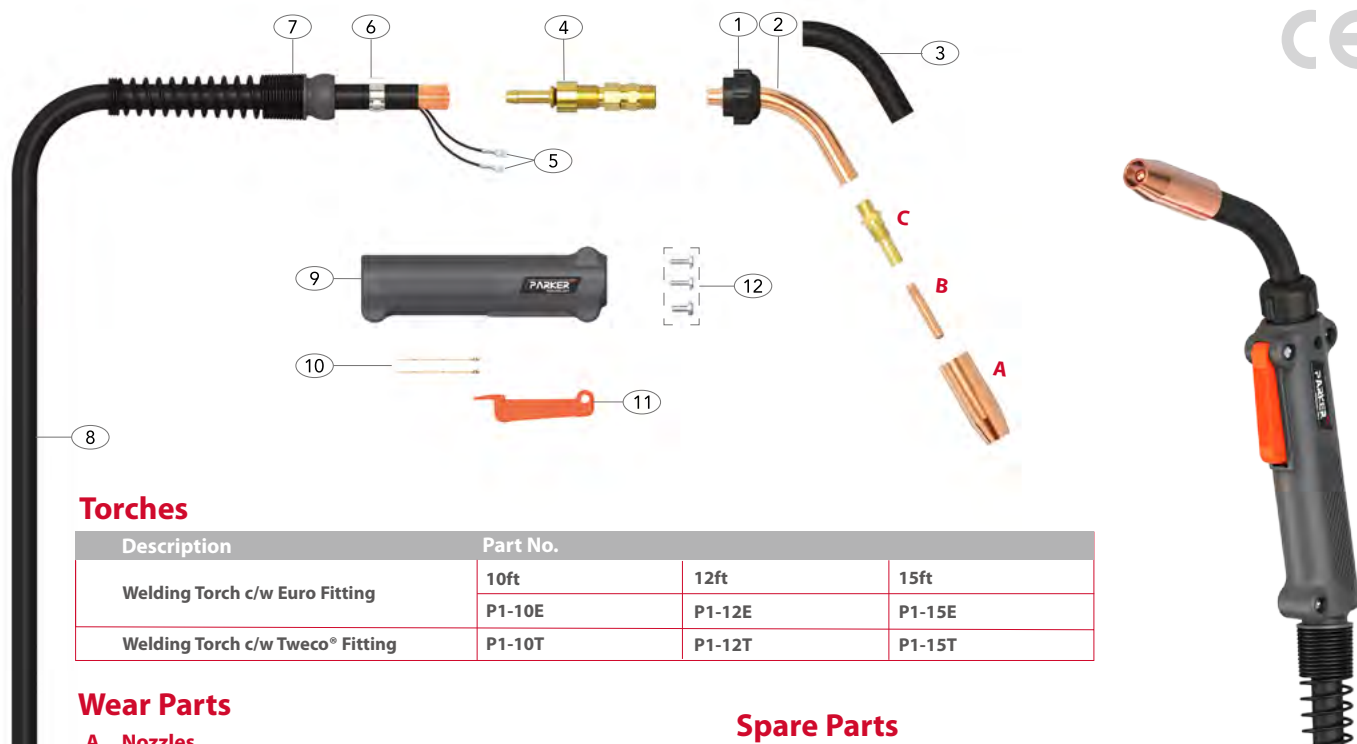


| Model                   | TW NO.1       | TW NO.2       | TW NO.3       | TW NO.4       | TW NO.5       |
|-------------------------|---------------|---------------|---------------|---------------|---------------|
| <b>Technical Data</b>   |               |               |               |               |               |
| Cooling Method          | Air-Cooled    | Air-Cooled    | Air-Cooled    | Air-Cooled    | Air-Cooled    |
| Rating: CO <sub>2</sub> | 180A          | 200A          | 300A          | 400A          | 500A          |
| Rating: Mixed Gas       | 125A          | 150A          | 250A          | 350A          | 400A          |
| Duty Cycle              | 60%           | 60%           | 60%           | 60%           | 60%           |
| Wire Size               | 0.6-1.2       | 0.6-1.2       | 0.8-1.6       | 0.8-2.0       | 0.9-2.8       |
| <b>Order Codes</b>      |               |               |               |               |               |
| 10ft                    | P1-10 E/M/T/L | P2-10 E/M/T/L | P3-10 E/M/T/L | P4-10 E/M/T/L | P5-10 E/M/T/L |
| 12ft                    | P1-12 E/M/T/L | P2-12 E/M/T/L | P3-12 E/M/T/L | P4-12 E/M/T/L | P5-12 E/M/T/L |
| 15ft                    | P1-15 E/M/T/L | P2-15 E/M/T/L | P3-15 E/M/T/L | P4-15 E/M/T/L | P5-15 E/M/T/L |

## TW NO.1 Mig/Mag Torch Range

Rating: 180A CO<sub>2</sub>, 125A mixed gas, EN60974-7 @ 60% duty cycle. 0.6 to 1.2mm / 0.023-0.045" wires

Air-Cooled Mig Welding Torch



### Torches

| Description                      | Part No. |        |        |
|----------------------------------|----------|--------|--------|
| Welding Torch c/w Euro Fitting   | 10ft     | 12ft   | 15ft   |
|                                  | P1-10E   | P1-12E | P1-15E |
| Welding Torch c/w Tweco® Fitting | P1-10T   | P1-12T | P1-15T |

### Wear Parts

#### A Nozzles

| Part No. | Description           | Bore | Wall   | Material |
|----------|-----------------------|------|--------|----------|
| P21-37   | Nozzle Self Insulated | 9.5  | 1.60mm | Copper   |
| *P21-50  | Nozzle Self Insulated | 12.7 | 1.60mm | Copper   |
| P21-62   | Nozzle Self Insulated | 15.9 | 1.60mm | Copper   |

#### B Contact Tips

| Part No. | Description | Material | Wire Size |       |
|----------|-------------|----------|-----------|-------|
|          |             |          | mm        | inch  |
| P11-23   | Contact Tip | Ecu      | 0.6       | 0.023 |
| *P11-30  | Contact Tip | Ecu      | 0.8       | 0.030 |
| P11-35   | Contact Tip | Ecu      | 0.9       | 0.035 |
| P11-40   | Contact Tip | Ecu      | 1.0       | 0.040 |
| P11-45   | Contact Tip | Ecu      | 1.2       | 0.045 |

#### C Diffusers

| Part No. | Description | Material |
|----------|-------------|----------|
| *P51     | Diffuser    | Brass    |

#### D Liners

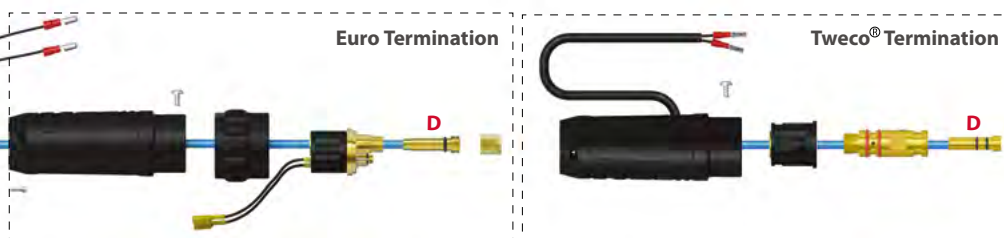
| Part No.      | Description        | Length | Wire Size |             |
|---------------|--------------------|--------|-----------|-------------|
|               |                    |        | mm        | inch        |
| *PA42-3035-15 | Steel Liner x 15ft | 4.90mt | 0.8-0.9   | 0.030-0.035 |
| PA42-3035-25  | Steel Liner x 25ft | 8.10mt | 0.8-0.9   | 0.030-0.035 |
| PA42-4045-15  | Steel Liner x 15ft | 4.90mt | 1.0-1.2   | 0.040-0.045 |
| PA42-4045-25  | Steel Liner x 25ft | 8.10mt | 1.0-1.2   | 0.040-0.045 |

### Spare Parts

| Part No. | Description                                       |
|----------|---|
| 1        | P61R Retaining Nut                                |
| 2        | P61-60 Conductor Tube 60°                         |
| 3        | P61-60/R Rubber Insulation Sleeve                 |
| 4        | P101 Cable Connector                              |
| 5        | PB1521 Cable Terminal                             |
| 6        | PB5044 Hose Clamp 18.5mm                          |
| 7        | P141-6S Spring Cable Support Small and Ball Joint |
| 8        | P100-10E Duraflex Cable Assembly x 10ft Euro      |
|          | P100-12E Duraflex Cable Assembly x 12ft Euro      |
|          | P100-15E Duraflex Cable Assembly x 15ft Euro      |
| 9        | P81 Handle With Screw Kit                         |
| 10       | P91 Switch Blades Kit                             |
| 11       | P91C Trigger Only                                 |
| 12       | PB1542 Handle Screw Pack                          |

\*All Registered Trademarks listed are the property of their respective manufacturer. Reference to the original manufacturer is for reference only.

\*Denotes torch package standard wear part set-up  
For more information please refer to the following sections:  
•Master Wear Parts Table Page 13-18  
•Rear-End / Cable Parts Page 19-23

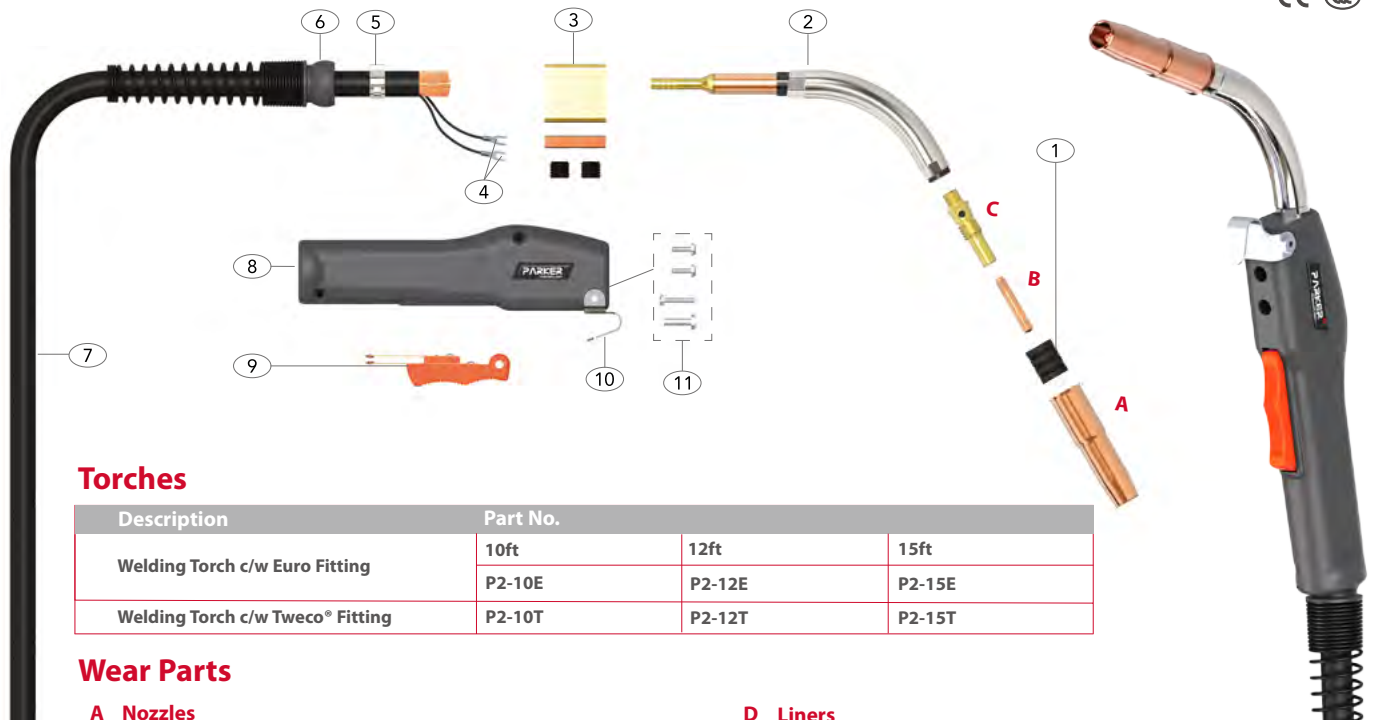




# TW NO.2 Mig/Mag Torch Range

Rating: 200A CO<sub>2</sub>, 150A mixed gas, EN60974-7 @ 60% duty cycle. 0.6 to 1.2mm / 0.023-0.045" wires  
Air-Cooled Mig Welding Torch

**PARKER**  
TORCHOLGY  
SMART TORCH SOLUTIONS



## Torches

| Description                      | Part No. |        |        |
|----------------------------------|----------|--------|--------|
|                                  | 10ft     | 12ft   | 15ft   |
| Welding Torch c/w Euro Fitting   | P2-10E   | P2-12E | P2-15E |
| Welding Torch c/w Tweco® Fitting | P2-10T   | P2-12T | P2-15T |

## Wear Parts

### A Nozzles

| Part No.  | Description                    | Bore | Wall   | Material |
|-----------|--------------------------------|------|--------|----------|
| *P22-50   | Nozzle Self Insulated          | 12.8 | 1.25mm | Copper   |
| P22-62    | Nozzle Self Insulated          | 16.0 | 1.25mm | Copper   |
| P23-50    | Nozzle Self Insulated          | 12.7 | 1.60mm | Copper   |
| P23-62    | Nozzle Self Insulated          | 15.9 | 1.60mm | Copper   |
| P23-75    | Nozzle Self Insulated          | 19.0 | 1.60mm | Copper   |
| P24CT-50S | Nozzle Fixed Coarse Thread     | 12.8 | 1.95mm | Copper   |
| P24CT-62S | Nozzle Fixed Coarse Thread     | 16.0 | 1.90mm | Copper   |
| P24CT-75S | Nozzle Fixed Coarse Thread     | 19.0 | 2.45mm | Copper   |
| P34CT     | Nozzle Insulator Coarse Thread |      |        |          |

### B Contact Tips

| Part No. | Description | Material | Wire Size |       |
|----------|-------------|----------|-----------|-------|
|          |             |          | mm        | inch  |
| P14-23   | Contact Tip | Ecu      | 0.6       | 0.023 |
| *P14-30  | Contact Tip | Ecu      | 0.8       | 0.030 |
| P14-40   | Contact Tip | Ecu      | 1.0       | 0.040 |
| P14-45   | Contact Tip | Ecu      | 1.2       | 0.045 |
| P14H-30  | Contact Tip | Ecu      | 0.8       | 0.030 |
| P14H-40  | Contact Tip | Ecu      | 1.0       | 0.040 |
| P14H-45  | Contact Tip | Ecu      | 1.2       | 0.045 |

### C Diffusers

| Part No. | Description | Material |
|----------|-------------|----------|
| P52      | Diffuser    | Brass    |

### D Liners

| Part No.      | Description        | Length | Wire Size |             |
|---------------|--------------------|--------|-----------|-------------|
|               |                    |        | mm        | inch        |
| *PA42-3035-15 | Steel Liner x 15ft | 4.90mt | 0.8-0.9   | 0.030-0.035 |
| PA42-3035-25  | Steel Liner x 25ft | 8.10mt | 0.8-0.9   | 0.030-0.035 |
| PA42-4045-15  | Steel Liner x 15ft | 4.90mt | 1.0-1.2   | 0.040-0.045 |
| PA42-4045-25  | Steel Liner x 25ft | 8.10mt | 1.0-1.2   | 0.040-0.045 |

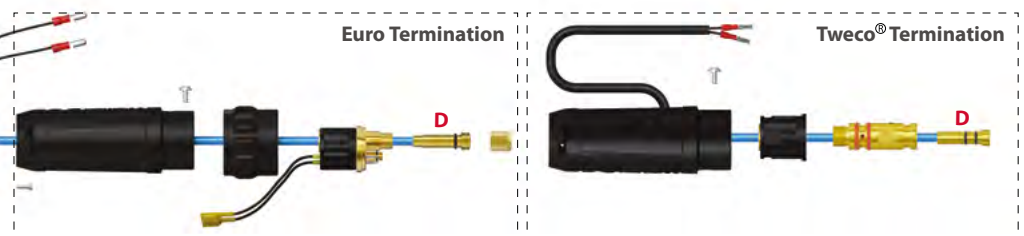
## Spare Parts

| Part No.   | Description                               |
|------------|---|
| 1 P32      | Adjustable Nozzle Insulator               |
| 2 P62J60   | Metal Jacket Neck Assembly                |
| 3 P102     | Block c/w Spacer and Screws               |
| 4 P244T    | Control Wire Terminals                    |
| 5 PB5044   | Hose Clamp 18.5mm                         |
| 6 P141-6S  | Spring Cable Support Small and Ball Joint |
| 7 P200-10E | Duraflex Cable Assembly x 10ft Euro       |
| P200-12E   | Duraflex Cable Assembly x 12ft Euro       |
| P200-15E   | Duraflex Cable Assembly x 15ft Euro       |
| 8 P83J     | Handle c/w Hook and Screw Kit             |
| 9 P92      | Trigger Switch                            |
| 10 P152    | Hanger Hook                               |
| 11 P122FMS | Screw Pack                                |

\*Denotes torch package standard wear part set-up

For more information please refer to the following sections:

- Master Wear Parts Table Page 13-18
- Rear-End / Cable Parts Page 19-23



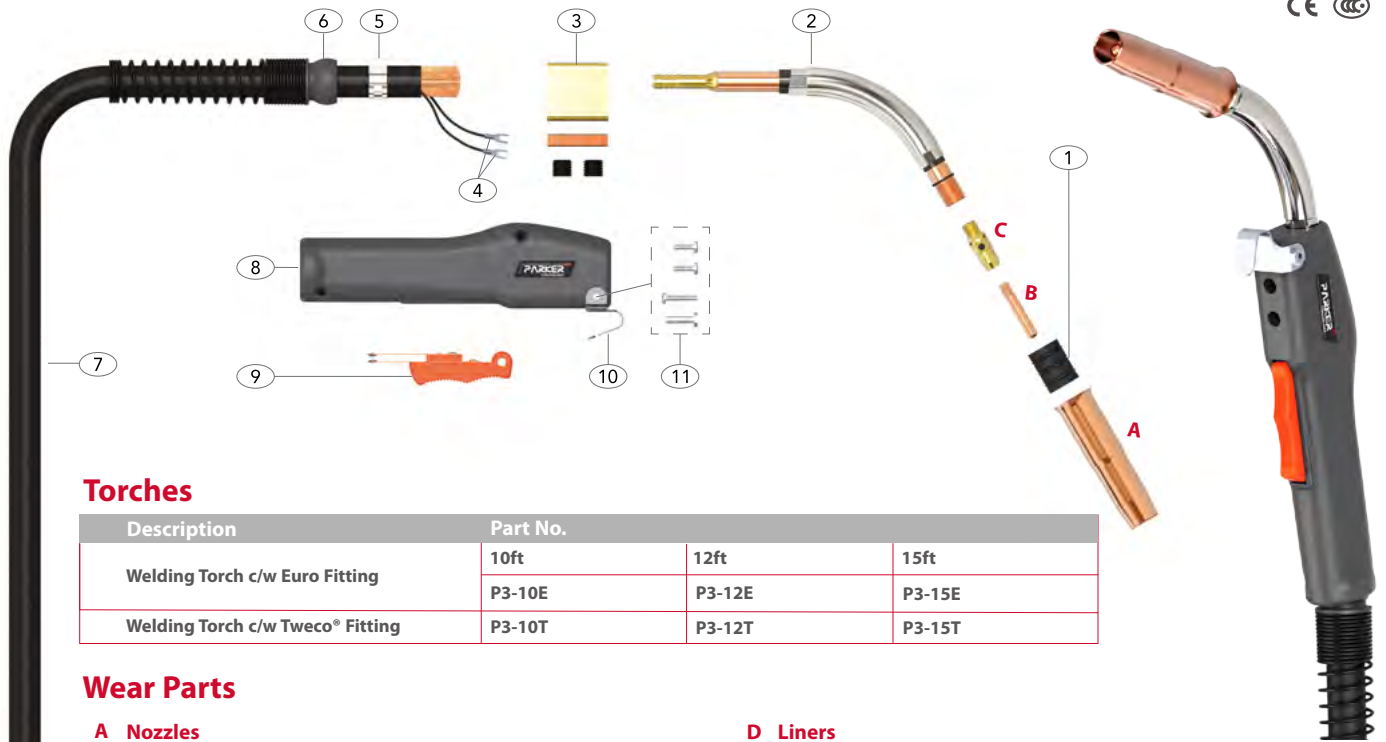
All products conform to EN60974-7, CE and are RoHS2, REACH and WEEE compliant

Copyright © 2019. Parker Torchology. All rights reserved.

## TW NO.3 Mig/Mag Torch Range

Rating: 300A CO<sub>2</sub>, 250A mixed gas, EN60974-7 @ 60% duty cycle. 0.8 to 1.6mm / 0.030-1/16" wires

Air-Cooled Mig Welding Torch



### Torches

| Description                      | Part No. |        |        |
|----------------------------------|----------|--------|--------|
|                                  | 10ft     | 12ft   | 15ft   |
| Welding Torch c/w Euro Fitting   | P3-10E   | P3-12E | P3-15E |
| Welding Torch c/w Tweco® Fitting | P3-10T   | P3-12T | P3-15T |

### Wear Parts

#### A Nozzles

| Part No.  | Description                    | Bore | Wall   | Material |
|-----------|--------------------------------|------|--------|----------|
| P23-50    | Nozzle Self Insulated          | 12.7 | 1.60mm | Copper   |
| P23-62    | Nozzle Self Insulated          | 15.9 | 1.60mm | Copper   |
| P23-75    | Nozzle Self Insulated          | 19.0 | 1.60mm | Copper   |
| P24A-50   | Nozzle Self Insulated          | 12.8 | 1.25mm | Copper   |
| *P24A-62  | Nozzle Self Insulated          | 16.0 | 1.25mm | Copper   |
| P24A-75   | Nozzle Self Insulated          | 19.0 | 1.25mm | Copper   |
| P24CT-50S | Nozzle Fixed Coarse Thread     | 12.8 | 1.95mm | Copper   |
| P24CT-62S | Nozzle Fixed Coarse Thread     | 16.0 | 1.90mm | Copper   |
| P24CT-75S | Nozzle Fixed Coarse Thread     | 19.0 | 2.45mm | Copper   |
| P34CT     | Nozzle Insulator Coarse Thread |      |        |          |

#### B Contact Tips

| Part No. | Description | Material | Wire Size |       |
|----------|-------------|----------|-----------|-------|
|          |             |          | mm        | inch  |
| P14-30   | Contact Tip | Ecu      | 0.8       | 0.030 |
| *P14-40  | Contact Tip | Ecu      | 1.0       | 0.040 |
| P14-45   | Contact Tip | Ecu      | 1.2       | 0.045 |
| P14-116  | Contact Tip | Ecu      | 1.6       | 1/16" |
| P14H-30  | Contact Tip | Ecu      | 0.8       | 0.030 |
| P14H-35  | Contact Tip | Ecu      | 0.9       | 0.035 |
| P14H-40  | Contact Tip | Ecu      | 1.0       | 0.040 |
| P14H-45  | Contact Tip | Ecu      | 1.2       | 0.045 |
| P14H-116 | Contact Tip | Ecu      | 1.6       | 1/16" |

#### C Diffusers

| Part No. | Description | Material |
|----------|-------------|----------|
| *P54A    | Diffuser    | Brass    |

#### D Liners

| Part No.      | Description        | Length | Wire Size |             |
|---------------|--------------------|--------|-----------|-------------|
|               |                    |        | mm        | inch        |
| *PA44-3545-15 | Steel Liner x 15ft | 4.90mt | 0.9-1.2   | 0.035-0.045 |
| PA44-3545-25  | Steel Liner x 25ft | 8.10mt | 0.9-1.2   | 0.035-0.045 |
| PA44-116-25   | Steel Liner x 25ft | 8.10mt | 1.6       | 1/16"       |
| P44N-116-25   | Steel Liner x 25ft | 8.10mt | 1.6       | 1/16"       |

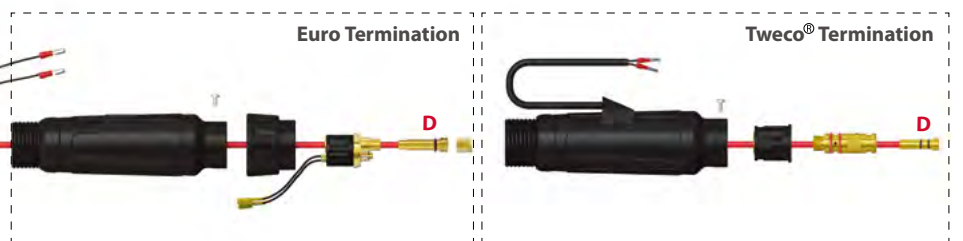
### Spare Parts

| Part No.   | Description                                |
|------------|--|
| 1 P34A     | Adjustable Nozzle Insulator                |
| 2 P63J60   | Metal Jacket Neck Assembly                 |
| 3 P102     | Block c/w Spacer and Screws                |
| 4 P244T    | Control Wire Terminals                     |
| 5 P132-12  | Cable Hose Clamp                           |
| 6 PT8018S  | Spring Cable Support Middle and Ball Joint |
| 7 P300-10E | Duraflex Cable Assembly x 10ft Euro        |
| P300-12E   | Duraflex Cable Assembly x 12ft Euro        |
| P300-15E   | Duraflex Cable Assembly x 15ft Euro        |
| 8 P83J     | Handle c/w Hook and Screw Kit              |
| 9 P92      | Trigger Switch                             |
| 10 P152    | Hanger Hook                                |
| 11 P122FMS | Screw Pack                                 |

\*Denotes torch package standard wear part set-up

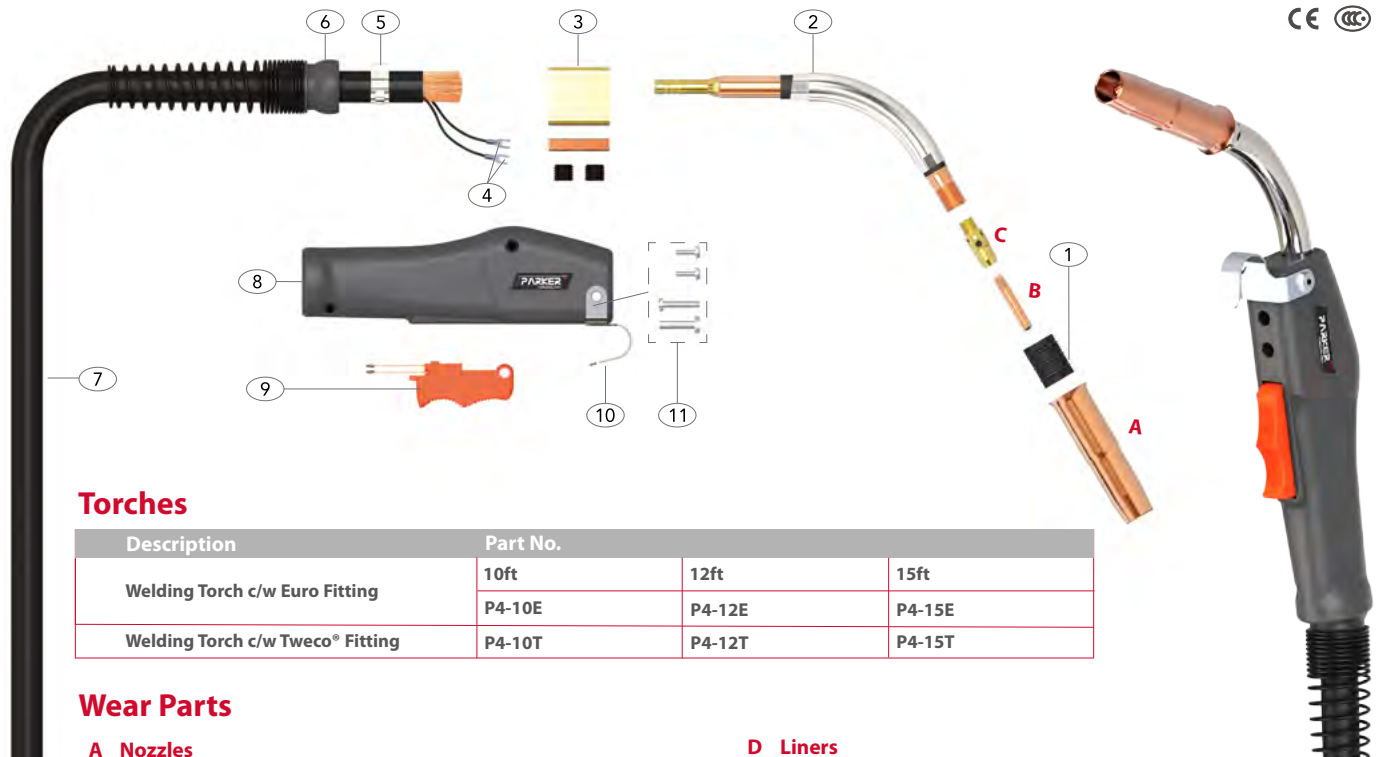
For more information please refer to the following sections:

- Master Wear Parts Table Page 13-18
- Rear-End / Cable Parts Page 19-23



# TW NO.4 Mig/Mag Torch Range

Rating: 400A CO<sub>2</sub>, 350A mixed gas, EN60974-7 @ 60% duty cycle. 0.8 to 2.0mm / 0.030-5/64" wires  
Air-Cooled Mig Welding Torch



## Torches

| Description                      | Part No. |        |        |
|----------------------------------|----------|--------|--------|
|                                  | 10ft     | 12ft   | 15ft   |
| Welding Torch c/w Euro Fitting   | P4-10E   | P4-12E | P4-15E |
| Welding Torch c/w Tweco® Fitting | P4-10T   | P4-12T | P4-15T |

## Wear Parts

### A Nozzles

| Part No.  | Description                    | Bore | Wall   | Material |
|-----------|--------------------------------|------|--------|----------|
| P24A-50   | Nozzle Self Insulated          | 12.8 | 1.60mm | Copper   |
| *P24A-62  | Nozzle Self Insulated          | 16.0 | 1.60mm | Copper   |
| P24A-75   | Nozzle Self Insulated          | 19.0 | 1.60mm | Copper   |
| P24AH-50  | Nozzle Heavy Duty              | 12.8 | 2.25mm | Copper   |
| P24AH-62  | Nozzle Heavy Duty              | 16.0 | 2.25mm | Copper   |
| P24AH-75  | Nozzle Heavy Duty              | 19.0 | 2.25mm | Copper   |
| P24CT-50S | Nozzle Fixed Coarse Thread     | 12.8 | 1.95mm | Copper   |
| P24CT-62S | Nozzle Fixed Coarse Thread     | 16.0 | 1.90mm | Copper   |
| P24CT-75S | Nozzle Fixed Coarse Thread     | 19.0 | 2.45mm | Copper   |
| P34CT     | Nozzle Insulator Coarse Thread |      |        |          |

### B Contact Tips

| Part No. | Description | Material | Wire Size |       |
|----------|-------------|----------|-----------|-------|
|          |             |          | mm        | inch  |
| P14-30   | Contact Tip | Ecu      | 0.8       | 0.030 |
| P14-40   | Contact Tip | Ecu      | 1.0       | 0.040 |
| *P14-45  | Contact Tip | Ecu      | 1.2       | 0.045 |
| P14-116  | Contact Tip | Ecu      | 1.6       | 1/16" |
| P14-564  | Contact Tip | Ecu      | 2.0       | 5/64" |
| P14H-30  | Contact Tip | Ecu      | 0.8       | 0.030 |
| P14H-40  | Contact Tip | Ecu      | 1.0       | 0.040 |
| P14H-45  | Contact Tip | Ecu      | 1.2       | 0.045 |
| P14H-116 | Contact Tip | Ecu      | 1.6       | 1/16" |
| P14H-564 | Contact Tip | Ecu      | 2.0       | 5/64" |

### C Diffusers

| Part No. | Description | Material |
|----------|-------------|----------|
| *P54A    | Diffuser    | Brass    |

### D Liners

| Part No.      | Description        | Length | Wire Size |             |
|---------------|--------------------|--------|-----------|-------------|
|               |                    |        | mm        | inch        |
| *PA44-3545-15 | Steel Liner x 15ft | 8.10mt | 0.9-1.2   | 0.035-0.045 |
| PA44-116-15   | Steel Liner x 15ft | 4.90mt | 1.6       | 1/16"       |
| P44N-116-15   | Steel Liner x 15ft | 4.90mt | 1.6       | 1/16"       |

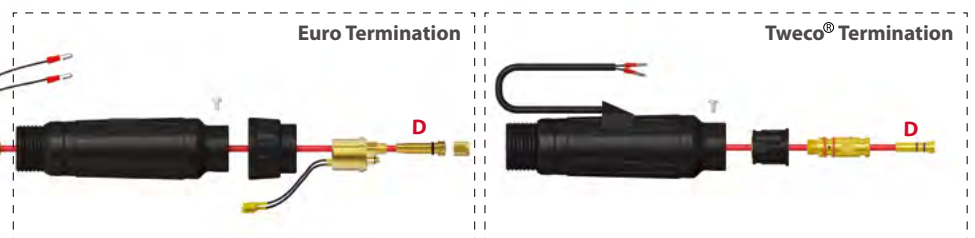
## Spare Parts

| Part No.   | Description                         |
|------------|-------------------------------------|
| 1 P34A     | Adjustable Nozzle Insulator         |
| 2 P64J60   | Metal Jacket Neck Assembly          |
| 3 P104     | Connection Block c/w Spacer         |
| 4 P244T    | Control Wire Terminals              |
| 5 P132-12  | Cable Hose Clamp                    |
| 6 PBE8018  | Spring Cable Support and Ball Joint |
| 7 P400-10E | Duraflex Cable Assembly x 10ft Euro |
| P400-12E   | Duraflex Cable Assembly x 12ft Euro |
| P400-15E   | Duraflex Cable Assembly x 15ft Euro |
| 8 P84J     | Handle c/w Hook and Screw Kit       |
| 9 P94R     | Trigger Switch                      |
| 10 PT154   | Hanger Hook                         |
| 11 P124FMS | Screw Pack                          |

\*Denotes torch package standard wear part set-up

For more information please refer to the following sections:

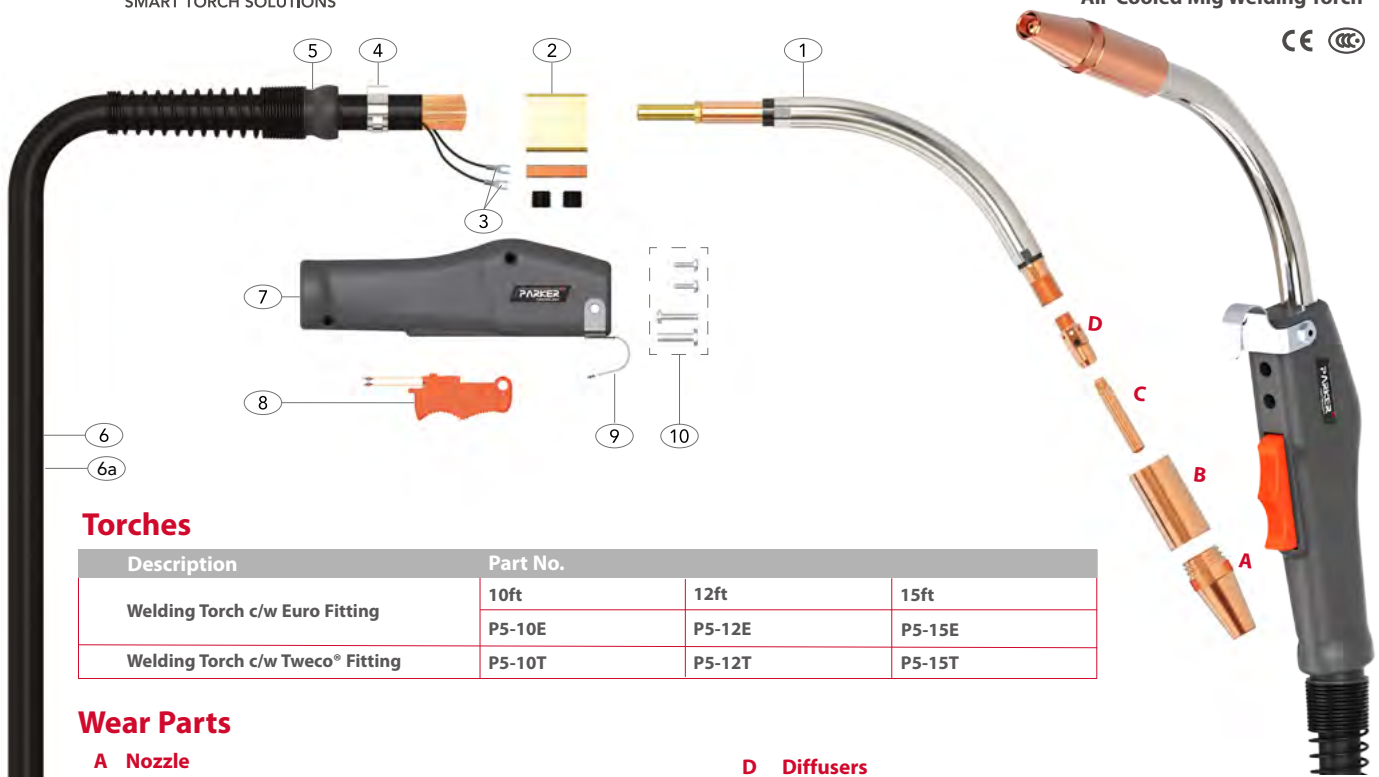
- Master Wear Parts Table Page 13-18
- Rear-End / Cable Parts Page 19-23



## TWC NO.5 Mig/Mag Torch Range

Rating: 500A CO<sub>2</sub> 400A mixed gas, EN60974-7 @ 60% duty cycle. 0.9 to 2.8mm / 0.035-7/64" wires

Air-Cooled Mig Welding Torch



### Torches

| Description                      | Part No. |        |        |
|----------------------------------|----------|--------|--------|
|                                  | 10ft     | 12ft   | 15ft   |
| Welding Torch c/w Euro Fitting   | P5-10E   | P5-12E | P5-15E |
| Welding Torch c/w Tweco® Fitting | P5-10T   | P5-12T | P5-15T |

### Wear Parts

#### A Nozzle

| Part No.  | Description                | Bore | Wall   | Material |
|-----------|----------------------------|------|--------|----------|
| P25CT-50  | Nozzle Fixed Coarse Thread | 12.8 | 1.60mm | Copper   |
| *P25CT-62 | Nozzle Fixed Coarse Thread | 16.0 | 1.95mm | Copper   |
| P25CT-75  | Nozzle Fixed Coarse Thread | 19.0 | 2.45mm | Copper   |

#### B Nozzle Insulators

| Part No. | Description                    | Bore | Wall   | Material |
|----------|--------------------------------|------|--------|----------|
| *P35CT   | Nozzle Insulator Coarse Thread | 19.0 | 2.45mm | Copper   |

#### C Contact Tips

| Part No.  | Description | Material | Wire Size |       |
|-----------|-------------|----------|-----------|-------|
|           |             |          | mm        | inch  |
| P15H-35   | Contact Tip | Ecu      | 0.9       | 0.035 |
| P15H-40   | Contact Tip | Ecu      | 1.0       | 0.040 |
| P15H-45   | Contact Tip | Ecu      | 1.2       | 0.045 |
| P15H-52   | Contact Tip | Ecu      | 1.3       | 0.052 |
| *P15H-116 | Contact Tip | Ecu      | 1.6       | 1/16" |

#### E Liners

| Part No.     | Description        | Length | Wire Size |             |
|--------------|--------------------|--------|-----------|-------------|
|              |                    |        | mm        | inch        |
| PA44-3545-15 | Steel Liner x 15ft | 4.90mt | 0.9-1.2   | 0.035-0.045 |
| PA44-3545-25 | Steel Liner x 25ft | 8.10mt | 0.9-1.2   | 0.035-0.045 |
| PA45-3545-15 | Steel Liner x 15ft | 4.90mt | 0.9-1.2   | 0.035-0.045 |
| PA45-3545-25 | Steel Liner x 25ft | 8.10mt | 0.9-1.2   | 0.035-0.045 |
| *PA44-116-15 | Steel Liner x 15ft | 4.90mt | 1.6mm     | 1/16"       |
| PA44-116-25  | Steel Liner x 25ft | 8.10mt | 1.6mm     | 1/16"       |
| PA45-116-15  | Steel Liner x 15ft | 4.90mt | 1.6mm     | 1/16"       |
| PA45-116-15  | Steel Liner x 25ft | 8.10mt | 1.6mm     | 1/16"       |

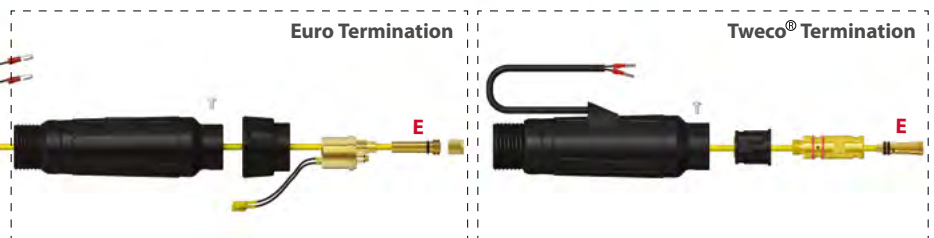
#### D Diffusers

| Part No. | Description | Material |
|----------|-------------|----------|
| P55      | Diffuser    | Copper   |
| P55H     | Diffuser    | Copper   |
| *P55SW   | Diffuser    | Copper   |

### Spare Parts

| Part No. | Description                                  |
|----------|--|
| 1        | P65J60 Metal Jacket Neck Assembly            |
| 2        | P104 Connection Block c/w Spacer             |
| 3        | P244T Control Wire Terminals                 |
| 4        | P134-14 Cable Hose Clamp                     |
| 5        | PBE8018 Spring Cable Support and Ball Joint  |
| 6        | P500-10E Duraflex Cable Assembly x 10ft Euro |
|          | P500-12E Duraflex Cable Assembly x 12ft Euro |
|          | P500-15E Duraflex Cable Assembly x 15ft Euro |
| 6a       | P500-10T Cable Assembly x 10ft Tweco®        |
|          | P500-12T Cable Assembly x 12ft Tweco®        |
|          | P500-15T Cable Assembly x 15ft Tweco®        |
| 7        | P85J Handle c/w Hook and Screw Kit           |
| 8        | P94R Trigger Switch                          |
| 9        | PT154 Hanger Hook                            |
| 10       | P124FMS Screw Pack                           |

\*Denotes torch package standard wear part set-up  
For more information please refer to the following sections:  
•Master Wear Parts Table Page 13-18  
•Rear-End / Cable Parts Page 19-23



## Nozzles

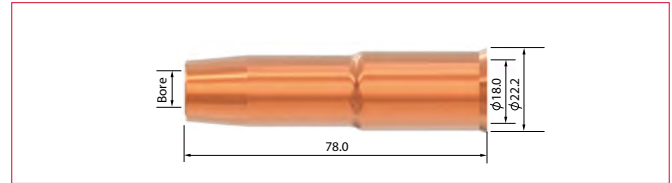
### TWC NO.1

| Part No. | Description           | Bore | Wall   | Material |
|----------|-----------------------|------|--------|----------|
| P21-37   | Nozzle Self Insulated | 9.5  | 1.60mm | Copper   |
| *P21-50  | Nozzle Self Insulated | 12.7 | 1.60mm | Copper   |
| P21-62   | Nozzle Self Insulated | 15.9 | 1.60mm | Copper   |



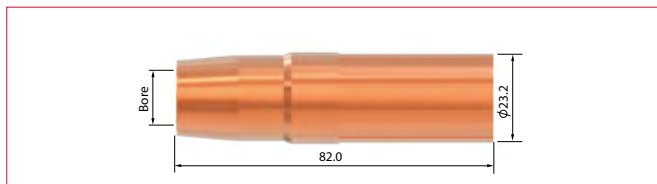
### TWC NO.2

| Part No. | Description       | Bore | Wall   | Material |
|----------|-------------------|------|--------|----------|
| *P22-50  | Nozzle Adjustable | 12.8 | 1.25mm | Copper   |
| P22-62   | Nozzle Adjustable | 16.0 | 1.25mm | Copper   |



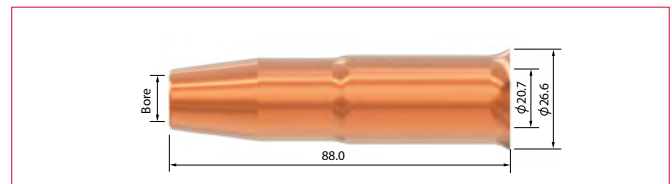
### TWC NO.2/NO.3

| Part No. | Description           | Bore | Wall   | Material |
|----------|-----------------------|------|--------|----------|
| P23-50   | Nozzle Self Insulated | 12.7 | 1.60mm | Copper   |
| P23-62   | Nozzle Self Insulated | 15.9 | 1.60mm | Copper   |
| P23-75   | Nozzle Self Insulated | 19.0 | 1.60mm | Copper   |



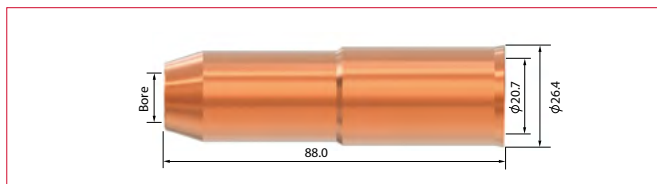
### TWC NO.3/NO.4

| Part No. | Description       | Bore | Wall   | Material |
|----------|-------------------|------|--------|----------|
| P24A-50  | Nozzle Adjustable | 12.8 | 1.25mm | Copper   |
| *P24A-62 | Nozzle Adjustable | 16.0 | 1.25mm | Copper   |
| P24A-75  | Nozzle Adjustable | 19.0 | 1.25mm | Copper   |



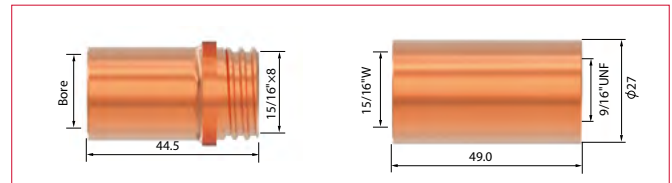
### TWC NO.4

| Part No. | Description       | Bore | Wall   | Material |
|----------|-------------------|------|--------|----------|
| P24AH-50 | Nozzle Heavy Duty | 12.8 | 2.25mm | Copper   |
| P24AH-62 | Nozzle Heavy Duty | 16.0 | 2.25mm | Copper   |
| P24AH-75 | Nozzle Heavy Duty | 19.0 | 2.25mm | Copper   |



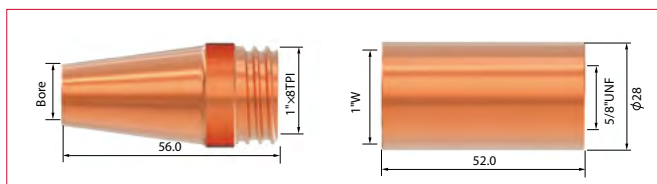
### TWC NO.2/NO.3/NO.4

| Part No.  | Description                    | Bore | Wall   | Material |
|-----------|--------------------------------|------|--------|----------|
| P24CT-50S | Nozzle Fixed Coarse Thread     | 12.8 | 1.95mm | Copper   |
| P24CT-62S | Nozzle Fixed Coarse Thread     | 16.0 | 1.90mm | Copper   |
| P24CT-75S | Nozzle Fixed Coarse Thread     | 19.0 | 2.45mm | Copper   |
| P34CT     | Nozzle Insulator Coarse Thread |      |        |          |



### TWC NO.5

| Part No.  | Description                    | Bore | Wall   | Material |
|-----------|--------------------------------|------|--------|----------|
| P25CT-50  | Nozzle Fixed Coarse Thread     | 12.8 | 1.6mm  | Copper   |
| *P25CT-62 | Nozzle Fixed Coarse Thread     | 16.0 | 1.95mm | Copper   |
| P25CT-75  | Nozzle Fixed Coarse Thread     | 19.0 | 2.45mm | Copper   |
| *P35CT    | Nozzle Insulator Coarse Thread |      |        |          |

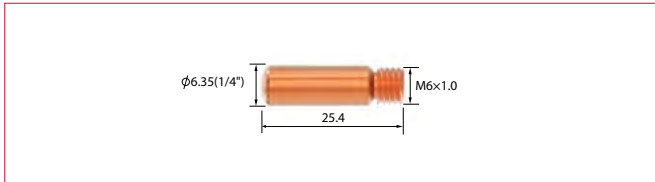


\* Denotes torch package standard wear part set-up

Contact Tips

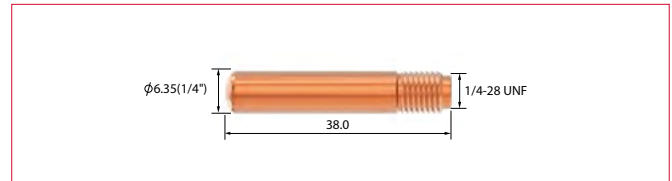
**TWC NO.1**

| Part No. | Description | Wire Size |       | Material |
|----------|-------------|-----------|-------|----------|
|          |             | mm        | inch  |          |
| P11-23   | Contact Tip | 0.6       | 0.023 | Ecu      |
| *P11-30  | Contact Tip | 0.8       | 0.030 | Ecu      |
| P11-35   | Contact Tip | 0.9       | 0.035 | Ecu      |
| P11-40   | Contact Tip | 1.0       | 0.040 | Ecu      |
| P11-45   | Contact Tip | 1.2       | 0.045 | Ecu      |



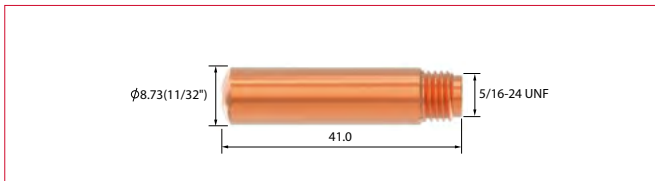
**TWC NO.2/NO.3/NO.4**

| Part No. | Description | Wire Size |       | Material |
|----------|-------------|-----------|-------|----------|
|          |             | mm        | inch  |          |
| P14-23   | Contact Tip | 0.6       | 0.023 | Ecu      |
| *P14-30  | Contact Tip | 0.8       | 0.030 | Ecu      |
| P14-35   | Contact Tip | 0.9       | 0.035 | Ecu      |
| *P14-40  | Contact Tip | 1.0       | 0.040 | Ecu      |
| *P14-45  | Contact Tip | 1.2       | 0.045 | Ecu      |
| P14-52   | Contact Tip | 1.3       | 0.052 | Ecu      |
| P14-116  | Contact Tip | 1.6       | 1/16" | Ecu      |
| P14-564  | Contact Tip | 2.0       | 5/64" | Ecu      |

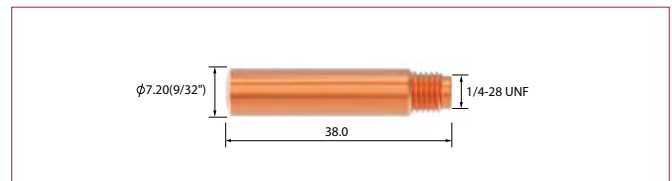


**TWC NO.5**

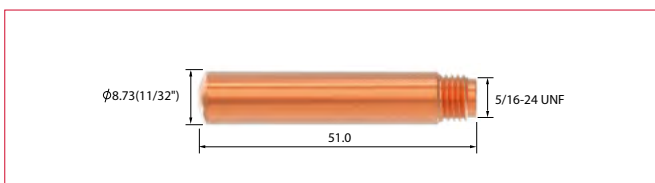
| Part No.   | Description | Wire Size |       | Material |
|------------|-------------|-----------|-------|----------|
|            |             | mm        | inch  |          |
| P15HFC-40  | Contact Tip | 1.0       | 0.040 | Ecu      |
| P15HFC-45  | Contact Tip | 1.2       | 0.045 | Ecu      |
| P15HFC-52  | Contact Tip | 1.3       | 0.052 | Ecu      |
| P15HFC-116 | Contact Tip | 1.6       | 1/16" | Ecu      |
| P15HFC-332 | Contact Tip | 2.4       | 3/32" | Ecu      |
| P15HFC-564 | Contact Tip | 2.0       | 5/64" | Ecu      |



|          |             |     |       |     |
|----------|-------------|-----|-------|-----|
| P14H-30  | Contact Tip | 0.8 | 0.030 | Ecu |
| P14H-35  | Contact Tip | 0.9 | 0.035 | Ecu |
| P14H-40  | Contact Tip | 1.0 | 0.040 | Ecu |
| P14H-45  | Contact Tip | 1.2 | 0.045 | Ecu |
| P14H-52  | Contact Tip | 1.3 | 0.052 | Ecu |
| P14H-116 | Contact Tip | 1.6 | 1/16" | Ecu |
| P14H-564 | Contact Tip | 2.0 | 5/64" | Ecu |



|           |             |     |       |     |
|-----------|-------------|-----|-------|-----|
| P15H-30   | Contact Tip | 0.8 | 0.030 | Ecu |
| P15H-35   | Contact Tip | 0.9 | 0.035 | Ecu |
| P15H-40   | Contact Tip | 1.0 | 0.040 | Ecu |
| P15H-45   | Contact Tip | 1.2 | 0.045 | Ecu |
| P15H-52   | Contact Tip | 1.3 | 0.052 | Ecu |
| *P15H-116 | Contact Tip | 1.6 | 1/16" | Ecu |
| P15H-332  | Contact Tip | 2.4 | 3/32" | Ecu |
| P15H-564  | Contact Tip | 2.0 | 5/64" | Ecu |

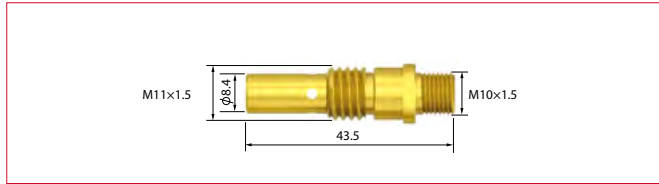


\* Denotes torch package standard wear part set-up

## Diffuser

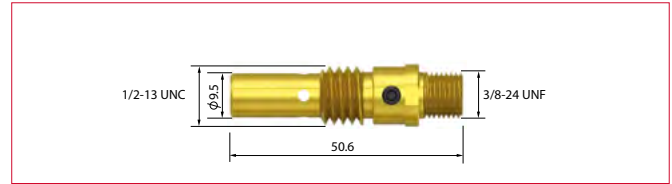
### TWC NO.1

| Part No. | Description | Material |
|----------|-------------|----------|
| *P51     | Diffuser    | Brass    |



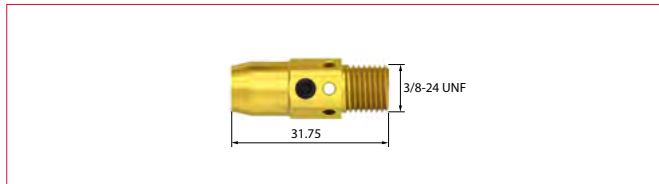
### TWC NO.2

| Part No. | Description | Material |
|----------|-------------|----------|
| *P52     | Diffuser    | Brass    |



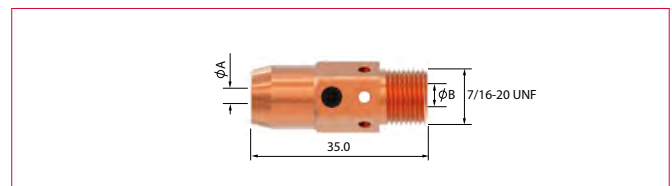
### TWC NO.3/NO.4

| Part No. | Description | Material |
|----------|-------------|----------|
| *P54A    | Diffuser    | Brass    |



### TWC NO.5

| Part No. | Description | Bore        | Material |
|----------|-------------|-------------|----------|
| P55      | Diffuser    | φA3.5 φB6.0 | Copper   |
| P55H     | Diffuser    | φA4.0 φB7.0 | Copper   |
| *P55SW   | Diffuser    | φA3.5 φB5.0 | Copper   |



\* Denotes torch package standard wear part set-up

## Liner Options 0.8-0.9mm

### TWC NO.1/NO.2

| Part No.      | Description        | Length | Nipple       | Wire Size |             |
|---------------|--------------------|--------|--------------|-----------|-------------|
|               |                    |        |              | mm        | inch        |
| *PA42-3035-15 | Steel Liner x 15ft | 4.90mt | Brass Nipple | 0.8-0.9   | 0.030-0.035 |
| PA42-3035-25  | Steel Liner x 25ft | 8.10mt | Brass Nipple | 0.8-0.9   | 0.030-0.035 |



## Liner Options 0.9-1.2mm

### TWC NO.1/NO.2

| Part No.     | Description        | Length | Nipple       | Wire Size |             |
|--------------|--------------------|--------|--------------|-----------|-------------|
|              |                    |        |              | mm        | inch        |
| PA42-4045-15 | Steel Liner x 15ft | 4.90mt | Brass Nipple | 1.0-1.2   | 0.040-0.045 |
| PA42-4045-25 | Steel Liner x 25ft | 8.10mt | Brass Nipple | 1.0-1.2   | 0.040-0.045 |



|              |                        |        |              |         |             |
|--------------|------------------------|--------|--------------|---------|-------------|
| P42N-4045-15 | Polyamide Liner x 15ft | 4.90mt | Brass Nipple | 1.0-1.2 | 0.040-0.045 |
| P42N-4045-25 | Polyamide Liner x 25ft | 8.10mt | Brass Nipple | 1.0-1.2 | 0.040-0.045 |



### TWC NO.3/NO.4/NO.5

| Part No.      | Description        | Length | Nipple       | Wire Size |             |
|---------------|--------------------|--------|--------------|-----------|-------------|
|               |                    |        |              | mm        | inch        |
| *PA44-3545-15 | Steel Liner x 15ft | 4.90mt | Brass Nipple | 0.9-1.2   | 0.035-0.045 |
| PA44-3545-25  | Steel Liner x 25ft | 8.10mt | Brass Nipple | 0.9-1.2   | 0.035-0.045 |



### TWC NO.5

| Part No.     | Description        | Length | Nipple       | Wire Size |             |
|--------------|--------------------|--------|--------------|-----------|-------------|
|              |                    |        |              | mm        | inch        |
| PA45-3545-15 | Steel Liner x 15ft | 4.90mt | Brass Nipple | 0.9-1.2   | 0.035-0.045 |
| PA45-3545-25 | Steel Liner x 25ft | 8.10mt | Brass Nipple | 0.9-1.2   | 0.035-0.045 |



\* Denotes torch package standard wear part set-up



## Liner Options 1.6mm

### TWC NO.3/NO.4/NO.5

| Part No.     | Description        | Length | Nipple       | Wire Size |       |
|--------------|--------------------|--------|--------------|-----------|-------|
|              |                    |        |              | mm        | inch  |
| *PA44-116-15 | Steel Liner x 15ft | 4.90mt | Brass Nipple | 1.6       | 1/16" |
| PA44-116-25  | Steel Liner x 25ft | 8.10mt | Brass Nipple | 1.6       | 1/16" |



|             |                        |        |              |     |       |
|-------------|------------------------|--------|--------------|-----|-------|
| P44N-116-15 | Polyamide Liner x 15ft | 4.90mt | Brass Nipple | 1.6 | 1/16" |
| P44N-116-25 | Polyamide Liner x 25ft | 8.10mt | Brass Nipple | 1.6 | 1/16" |



### TWC NO.5

| Part No.    | Description        | Length | Nipple       | Wire Size |       |
|-------------|--------------------|--------|--------------|-----------|-------|
|             |                    |        |              | mm        | inch  |
| PA45-116-15 | Steel Liner x 15ft | 4.90mt | Brass Nipple | 1.6       | 1/16" |
| PA45-116-25 | Steel Liner x 25ft | 8.10mt | Brass Nipple | 1.6       | 1/16" |



\* Denotes torch package standard wear part set-up

Liner Options 2.0-2.4mm

**TWC NO.4/NO.5**

| Part No.    | Description        | Length | Nipple       | Wire Size |       |
|-------------|--------------------|--------|--------------|-----------|-------|
|             |                    |        |              | mm        | Inch  |
| PA44-564-15 | Steel Liner x 15ft | 4.90mt | Brass Nipple | 2.0       | 5/64" |
| PA44-564-25 | Steel Liner x 25ft | 8.10mt | Brass Nipple | 2.0       | 5/64" |



**TWC NO.5**

| Part No.    | Description        | Length | Nipple       | Wire Size |       |
|-------------|--------------------|--------|--------------|-----------|-------|
|             |                    |        |              | mm        | Inch  |
| PA45-564-15 | Steel Liner x 15ft | 4.90mt | Brass Nipple | 2.0       | 5/64" |
| PA45-564-25 | Steel Liner x 25ft | 8.10mt | Brass Nipple | 2.0       | 5/64" |



**TWC NO.5**

| Part No.    | Description        | Length | Nipple       | Wire Size |       |
|-------------|--------------------|--------|--------------|-----------|-------|
|             |                    |        |              | mm        | Inch  |
| PA45-332-15 | Steel Liner x 15ft | 4.90mt | Brass Nipple | 2.4       | 3/32" |
| PA45-332-25 | Steel Liner x 25ft | 8.10mt | Brass Nipple | 2.4       | 3/32" |

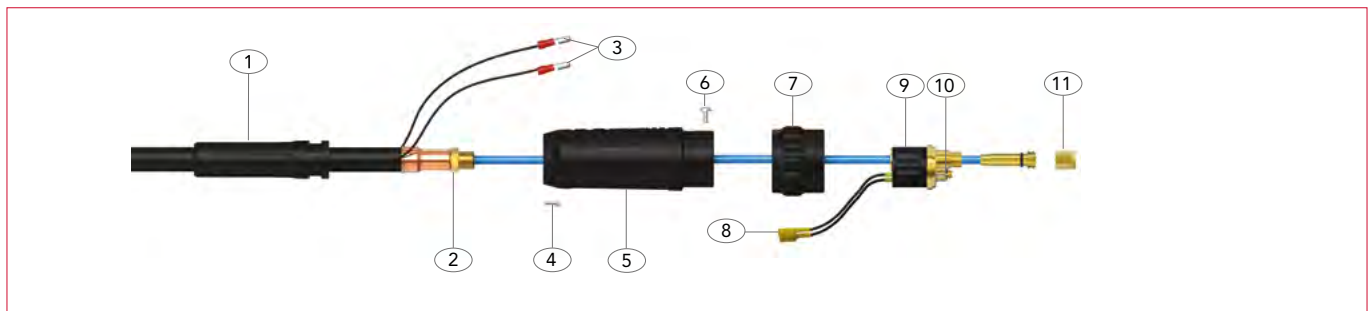


\* Denotes torch package standard wear part set-up

## Termination

### TW No.1/No.2

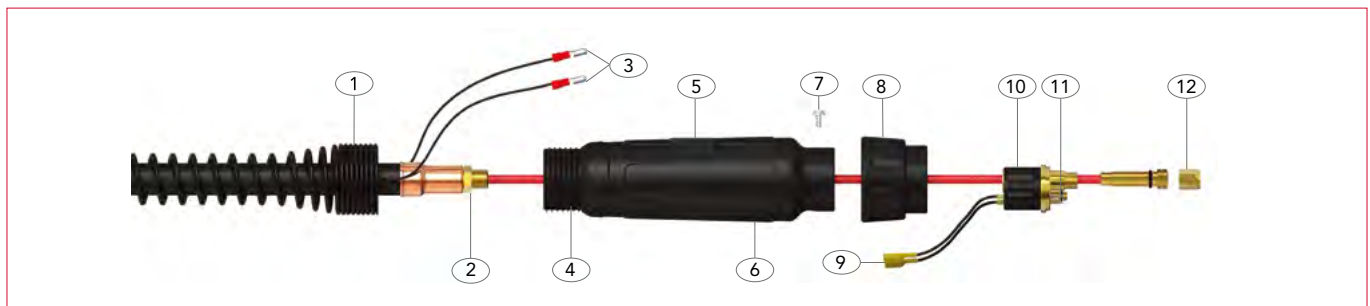
| Part No.    | Description                    |
|-------------|--------------------------------|
| 1 PC2841    | Cable Support                  |
| 2 PXL1542   | Cable End Lock Nut (M12 X 1.0) |
| 3 PB1522    | Cable Terminal Male            |
| 4 SCSP1-1   | Gun Plug Housing Screw         |
| 5 SC2578/S  | Gun Plug Housing               |
| 6 PBL1541   | Gun Plug Screw                 |
| 7 PC1519/S  | Gun Plug Nut                   |
| 8 PB1523    | Gun Plug Terminal Female       |
| 9 PC174EX-1 | TWC Euro Gun Plug Body         |
| 10 PB1524   | Gun Plug Housing               |
| 11 PXL1826  | Liner Retaining Nut            |



## Euro Termination

### TW No.3

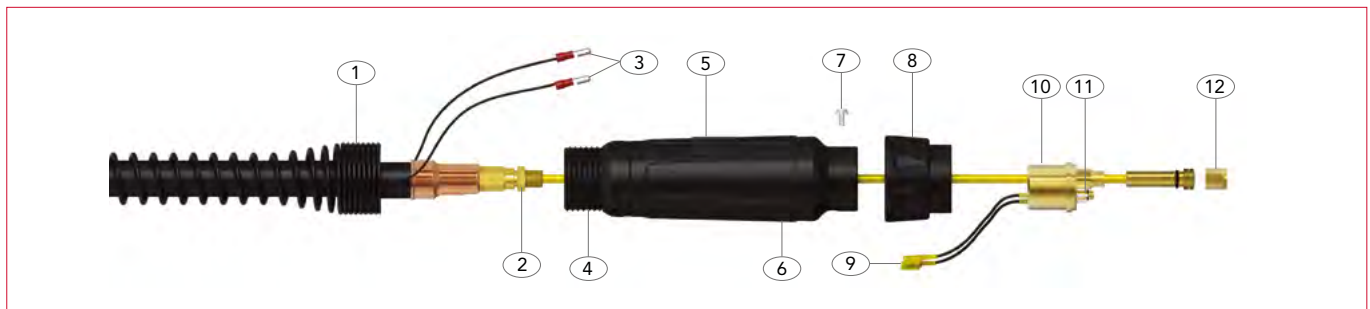
| Part No.     | Description                          |
|--------------|--------------------------------------|
| 1 PC8026     | Cable Support                        |
| 2 PXL1542    | Cable End Lock Nut (M12 X 1.0)       |
| 3 PB1522     | Cable Terminal Male                  |
| 4 PT8028     | Gun Plug Housing Screw               |
| 5 SC8017     | Gun Plug Housing                     |
| 6 PT5022     | Gun Plug Screw                       |
| 7 PBL1541    | Gun Plug Nut                         |
| 8 PB1519/S   | Gun Plug Terminal Female             |
| 9 PB1523     | Hybrid Gun Plug Body c/w Spring Pins |
| 10 PC174EX-1 | Gun Plug 'O' Ring                    |
| 11 PB1524    | Gun Plug Housing                     |
| 12 PXL1826   | Liner Retaining Nut                  |



**Euro Termination**

**TW No.4/No.5**

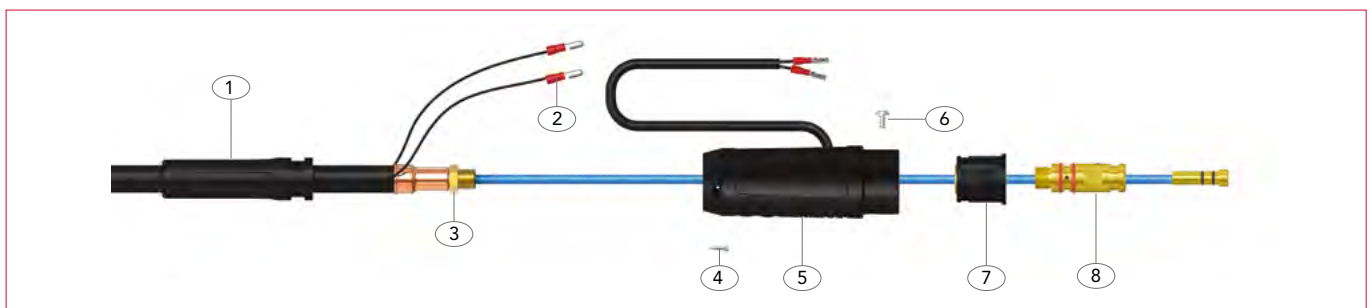
| Part No.    | Description                    |
|-------------|--------------------------------|
| 1 PC8026    | Spring Cable Support           |
| 2 PXL1542   | Cable End Lock Nut (M12 X 1.0) |
| 3 PB1522    | Cable Terminal Male            |
| 4 PT8028    | Spring Cable Support Nut       |
| 5 SC8017    | Large Housing Cover            |
| 6 PT5022    | Gun Plug Housing Assembly      |
| 7 PB1526    | Gun Plug Screw                 |
| 8 PB1519/5  | Gun Plug Nut                   |
| 9 PB1523    | Gun Plug Terminal Female       |
| 10 P174EX-1 | TWC Euro Gun Plug Body         |
| 11 PB1524   | Gun Plug 'O' Ring              |
| 12 PXL1826  | Liner Retaining Nut            |



**Tweco® Termination**

**TW No.1/No.2**

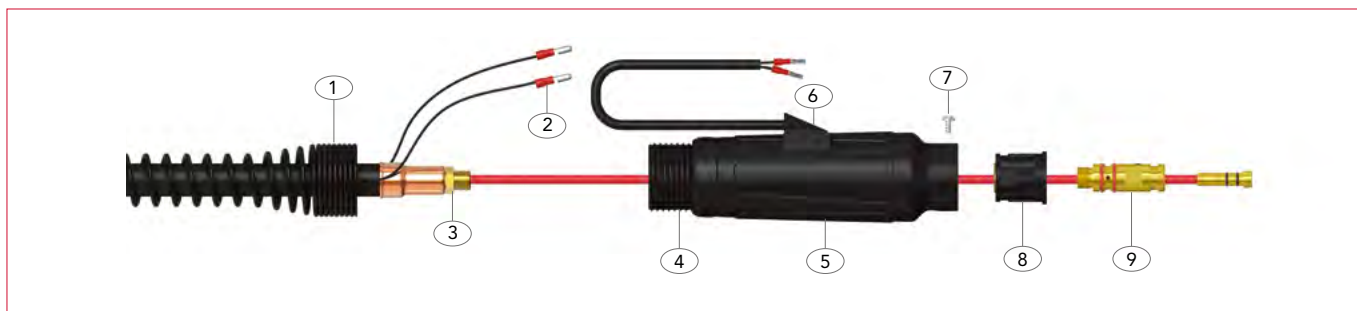
| Part No.      | Description                    |
|---------------|--------------------------------|
| 1 PC2841      | Cable Support                  |
| 2 PB1522      | Cable Terminal Male            |
| 3 PXL1542     | Cable End Lock Nut (M12 X 1.0) |
| 4 SCSP1-1     | Gun Plug Housing Screw         |
| 5 SC2578H/S   | Gun Plug Housing               |
| 6 PBL1541     | Gun Plug Screw                 |
| 7 PECEM1575/2 | Hybrid Plug Body TWC 1-4       |
| 8 PECET1575/1 | Tweco® 1-4 Power Pin           |



## Tweco® Termination

### TW No.3/No.4

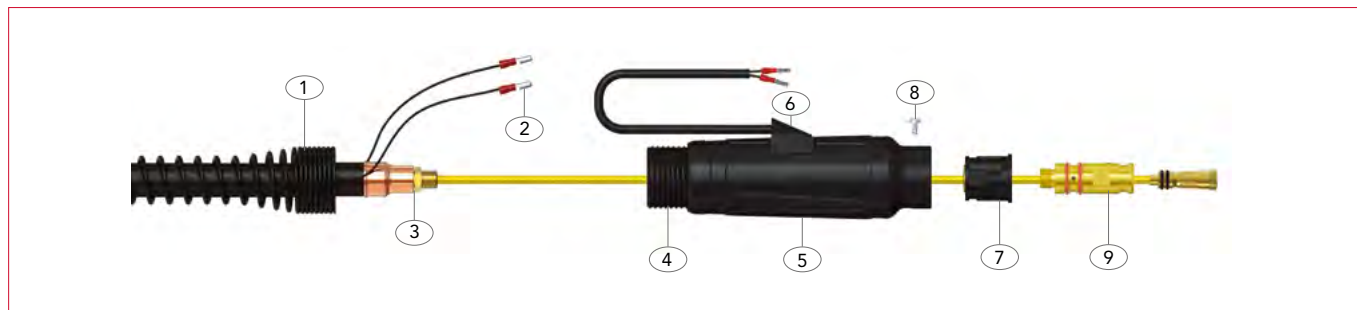
| Part No.      | Description                    |
|---------------|--------------------------------|
| 1 PC8026      | Spring Cable Support           |
| 2 PB1522      | Cable Terminal Male            |
| 3 PXL1542     | Cable End Lock Nut (M12 X 1.0) |
| 4 PT8028      | Spring Cable Support Nut       |
| 5 PT5022      | Gun Plug Housing Assembly      |
| 6 SC8017      | Large Housing Wire Cover       |
| 7 PBL1541     | Gun Plug Screw                 |
| 8 PECEM1575/2 | Hybrid Plug Body TWC 1-4       |
| 9 PECET1575/1 | Tweco® 1-4 Power Pin           |



## Tweco® Termination

### TW No.5

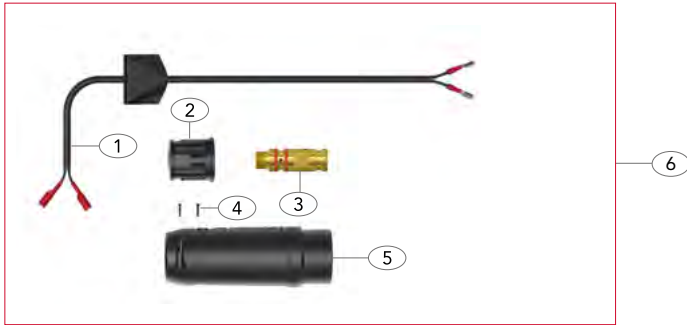
| Part No.      | Description                    |
|---------------|--------------------------------|
| 1 PC8026      | Spring Cable Support           |
| 2 PB1522      | Cable Terminal Male            |
| 3 PXL1543     | Cable End Lock Nut (M14 X 1.0) |
| 4 PT8028      | Spring Cable Support Nut       |
| 5 PT5022      | Gun Plug Housing Assembly      |
| 6 SC8017      | Large Housing Wire Cover       |
| 7 PECEM1576/2 | Hybrid Plug Body TWC 5         |
| 8 PBL1541     | Gun Plug Screw                 |
| 9 PECET1576/1 | Tweco® 5 Power Pin             |



## TWC Mig/Mag Torch Range

### Euro Direct Plug Connector Kits

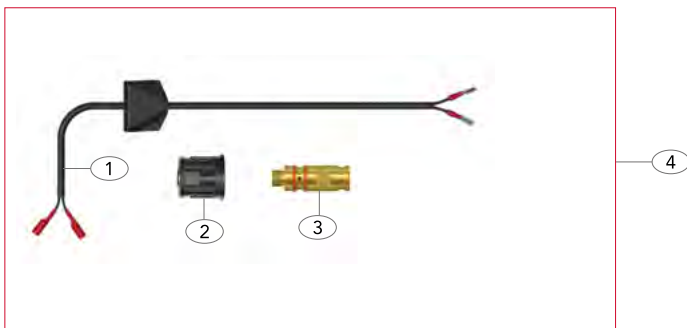
#### Tweco® 1-4



#### Direct Plug Connector

| Part No. | Description                          |
|----------|--------------------------------------|
| 1        | PECEL1575/SW/C Switch Wire Assembly  |
| 2        | PECEM1575/2 Hybrid Plug Body TWC 1-4 |
| 3        | PECEM1575/1 Tweco® 1-4 Power Pin     |
| 4        | SCSP1-1 Gun Plug Housing Screw       |
| 5        | SC2578H/S Gun Plug Housing           |
| 6        | PECEM1575E Tweco® Rear End Kit       |

#### Tweco® 5



#### Direct Plug Connector

| Part No. | Description                         |
|----------|-------------------------------------|
| 1        | PECEL1575/SW/C Switch Wire Assembly |
| 2        | PECEM1576/2 Hybrid Plug Body TWC 5  |
| 3        | PECEM1576/1 Tweco® 5 Power Pin      |
| 4        | PECEM1576E Tweco® Rear End Kit      |

#### Miller® TWC 1-4



#### Direct Plug Connector

| Part No. | Description                          |
|----------|--------------------------------------|
| 1        | PECEM1575/SW/C Miller® Plug Assembly |
| 2        | PECEM1575/2 Hybrid Plug Body TWC 1-4 |
| 3        | PECEM1575/1 Miller® Power Pin        |
| 4 *      | PML1570 Wire Guide 0.35" - 1/16"     |
|          | PML1571 Wire Guide 5/16" - 3/32"     |
| 5        | SCSP1-1 Gun Plug Housing Screw       |
| 6        | SC2578H/S Gun Plug Housing           |
| 7        | PECEM1575E Miller® Rear End Kit      |

#### Miller® TWC 5



#### Direct Plug Connector

| Part No. | Description                          |
|----------|--------------------------------------|
| 1        | PECEM1575/SW/C Miller® Plug Assembly |
| 2        | PECEM1576/2 Hybrid Plug Body TWC 5   |
| 3        | PECEM1576/1 Miller® Power Pin        |
| 4        | PECEM1576E Miller® Rear End Kit      |

\* Denotes torch package standard wear part set-up

# TWC Mig/Mag Torch Range

## Euro Direct Plug Connector Kits

### Lincoln® TWC 1-4



### Direct Plug Connector

| Part No. | Description                                   |
|----------|---|
| 1        | PM16725/C Lincoln® Plug Assembly              |
| 2        | PECEL1575/G Lincoln® Gas Tube Assembly        |
| 3        | PECEL1575 Lincoln® Power Pin                  |
| 4        | SCSP1-1 Gun Plug Housing Screw                |
| 5        | SC2578HL/S Gun Plug Housing Assembly Lincoln® |
| 6        | PT5022/L Gun Plug Housing Assembly Lincoln®   |
| 7        | PECEL1575E Lincoln® Rear End Kit              |

### LPW - TWC 1-4



### Direct Plug Connector

| Part No. | Description                          |
|----------|--------------------------------------|
| 1        | PECEM1575/SW/C Miller® Plug Assembly |
| 2        | PECEM1575/2 Hybrid Plug Body TWC 1-4 |
| 3        | PECEM1575/1 Tweco® 1-4 Power Pin     |
| 4        | SCSP1-1 Gun Plug Housing Screw       |
| 5        | SC2578H/S Gun Plug Housing           |
| 6        | PECELPW1575E LPW Rear End Kit        |

### LPB - TWC 1-4



### Direct Plug Connector

| Part No. | Description                          |
|----------|--------------------------------------|
| 1        | PM16725/C Lincoln® Plug Assembly     |
| 2        | PECEM1575/2 Hybrid Plug Body TWC 1-4 |
| 3        | PECEM1575/1 Tweco® 1-4 Power Pin     |
| 4        | SCSP1-1 Gun Plug Housing Screw       |
| 5        | SC2578H/S Gun Plug Housing           |
| 6        | PECELPB1575E LPB Rear End Kit        |



Jinan Export Processing Zone  
The East End Of Jing Shi Dong Road  
Jinan 250102  
P.R. China

Tel: +86 531 88239823  
Fax: +86 531 88239398  
Website: [www.parkertorchology.com](http://www.parkertorchology.com)  
Email: [info@parkertorchology.com](mailto:info@parkertorchology.com)  
MPP010 / V.2019.06